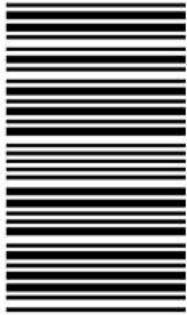


کد کنترل

534

B



534B

صبح جمعه

۱۳۹۹/۵/۳



جمهوری اسلامی ایران
وزارت علوم، تحقیقات و فناوری
سازمان سنجش آموزش کشور

«اگر دانشگاه اصلاح شود مملکت اصلاح می شود.»
امام خمینی (ره)

آزمون ورودی دوره های کارشناسی ارشد ناپیوسته داخل - سال ۱۳۹۹

مجموعه مهندسی کامپیوتر - کد (۱۲۷۷)

مدت پاسخ گویی: ۲۷۰ دقیقه

تعداد سؤال: ۱۵۰

عنوان مواد امتحانی، تعداد و شماره سؤالات

ردیف	مواد امتحانی	تعداد سؤال	از شماره	تا شماره
۱	زبان عمومی و تخصصی (انگلیسی)	۳۰	۱	۳۰
۲	ریاضیات (ریاضی عمومی (۱ و ۲)، معادلات دیفرانسیل، آمار و احتمال مهندسی، ریاضیات گسسته)	۲۰	۳۱	۵۰
۳	دروس تخصصی (نظریه زبانها و ماشینها، مدار منطقی، معماری کامپیوتر، ساختمان داده و الگوریتم، سیستم عامل، شبکه های کامپیوتری، هوش مصنوعی، کامپایلر، پایگاه داده)	۱۰۰	۵۱	۱۵۰

این آزمون نمره منفی دارد.

استفاده از ماشین حساب مجاز نیست.

حق چاپ، تکثیر و انتشار سؤالات به هر روش (الکترونیکی و...) پس از برگزاری آزمون، برای تمامی اشخاص حقیقی و حقوقی تنها با مجوز این سازمان مجاز می باشد و با متخلفین برابر مقررات رفتار می شود.

۱۳۹۹

* داوطلب گرامی، عدم درج مشخصات و امضا در مندرجات جدول ذیل، به منزله عدم حضور شما در جلسه آزمون است.

اینجانب با شماره داوطلبی با آگاهی کامل، یکسان بودن شماره صندلی خود را با شماره داوطلبی مندرج در بالای کارت ورود به جلسه، بالای پاسخنامه و دفترچه سؤالات، نوع و کد کنترل درج شده بر روی دفترچه سؤالات و پائین پاسخنامه را تأیید می‌نمایم.

امضا:

زبان عمومی و تخصصی (انگلیسی):

PART A: Vocabulary

Directions: Choose the word or the phrase (1), (2), (3), or (4) that best completes each sentence. Then mark the answer on your answer sheet.

- 1- Living close to a lake means we have an ----- supply of water.
1) inherent 2) abundant 3) inconsistent 4) eclectic
- 2- The advertisement for the weight loss pills is very ----- since studies have shown they're ineffective.
1) persistent 2) interminable 3) sensitive 4) misleading
- 3- The twins hated to be apart, so they bought houses in close ----- to each other.
1) pertinence 2) proximity 3) acquaintance 4) scrutiny
- 4- With few new jobs created, the economy has remained ----- for the past five years.
1) conservative 2) unfeasible 3) stagnant 4) impassive
- 5- Two days after the flood, fortunately the seawater finally began to ----- from our house.
1) recede 2) secede 3) proceed 4) intercede
- 6- The business used only to make bicycles, but they've now ----- a range of other cycling products.
1) diversified into 2) emerged from 3) reverted to 4) stemmed from
- 7- The audience clearly loved the play—the ----- was deafening. So it's not surprising that it got glowing reviews.
1) merit 2) rivalry 3) applause 4) benediction
- 8- Experienced Iditarod runners tried to ----- Gary Paulsen from competing in the grueling Alaska race, but they were not successful. The writer and his team of sled dogs nearly perished during the race.
1) elicit 2) derive 3) snatch 4) dissuade
- 9- The Kalapalo Indians, who live on the savannas of central Brazil, have little ----- to change their leisurely lifestyle. They work just several hours a week to provide food, their only need.
1) disinterest 2) impetus 3) impact 4) rigidity
- 10- ----- by the rude behavior of the clerk, Ms. Caine reported him to the manager. She believes that customers deserve courteous treatment, even when returning merchandise.
1) Withdrawn 2) Arisen 3) Restricted 4) Incensed

PART B: Cloze Test

Directions: Read the following passage and decide which choice (1), (2), (3), or (4) best fits each space. Then mark the answer on your answer sheet.

While elephants are often one of a zoo's top attractions, a new report charges that their level of care often falls short of star treatment. In a study (11) ----- this week, the UK's Royal Society for the Protection of Cruelty to Animals (RSPCA) said elephants in European zoos are often unhealthy, (12) ----- considerable stress, and have a much shorter life than their counterparts in the wild. Their condition is frequently even worse than (13) ----- in Asian timber camps, alleges the RSPCA, (14) ----- is calling for wide-ranging changes in the way (15) ----- . In the meantime, the group says, European zoos should stop importing and breeding elephants.

- 11- 1) released 2) was released 3) it is released 4) that releases
12- 1) to endure 2) they endure 3) by enduring 4) endure
13- 1) elephants 2) elephants do 3) that of elephants 4) for elephants
14- 1) it 2) which 3) that 4) that it
15- 1) zoo elephants are treated 2) in zoos are treated elephants
3) elephants are treated by in zoo 4) that elephants being treated in zoos

PART C: Reading Comprehension

Directions: Read the following three passages and answer the questions by choosing the best choice (1), (2), (3), or (4). Then mark the correct choice on your answer sheet.

PASSAGE 1:

Computer-aided engineering (CAE) is an important subject within engineering, and some quite sophisticated PSHs have been developed for this field. A wide variety of numerical analysis techniques is involved in solving such mathematical models. The models follow the basic Newtonian laws of mechanics, but there is a variety of possible specific models, and research continues on their design. One important CAE topic is that of modeling the dynamics of moving mechanical systems, a technique that involves both ordinary differential equations and algebraic equations (generally nonlinear). The numerical analysis of these mixed systems, called differential-algebraic systems, is quite difficult but necessary in order to model moving mechanical systems. Building simulators for cars, planes, and other vehicles requires solving differential-algebraic systems in real time.

Another important application is atmospheric modeling. In addition to improving weather forecasts, such models are crucial for understanding the possible effects of human activities on the Earth's climate. In order to create a useful model, many variables must be introduced. Fundamental among these are the velocity $V(x, y, z, t)$, pressure $P(x, y, z, t)$, and temperature $T(x, y, z, t)$, all given at position (x, y, z) and time t . In addition, various chemicals exist in the atmosphere, including ozone, certain chemical pollutants, carbon dioxide, and other gases and particulates, and their

interactions have to be considered. The underlying equations for studying $V(x, y, z, t)$, $P(x, y, z, t)$, and $T(x, y, z, t)$ are partial differential equations; and the interactions of the various chemicals are described using some quite difficult ordinary differential equations. Many types of numerical analysis procedures are used in atmospheric modeling, including computational fluid mechanics and the numerical solution of differential equations. Researchers strive to include ever finer detail in atmospheric models, primarily by incorporating data over smaller and smaller local regions in the atmosphere and implementing their models on highly parallel supercomputers. Modern businesses rely on optimization methods to decide how to allocate resources most efficiently. For example, optimization methods are used for inventory control, scheduling, determining the best location for manufacturing and storage facilities, and investment strategies.

- 16- All of the following are mentioned in paragraph 1 about the mathematical models in CAE **except** -----.
- 1) Researchers are still working on their design
 - 2) They are based on the Newtonian laws of mechanics
 - 3) A range of specific models are possible
 - 4) A single technique of numerical analysis is employed to solve these models
- 17- According to paragraph 1, modeling moving mechanical systems cannot be performed without -----.
- 1) complex differential equations
 - 2) developing simulators for cars
 - 3) a profound understanding of algebra
 - 4) the numerical analysis of differential algebraic systems
- 18- Atmospheric modeling is an application of -----.
- 1) weather forecasts
 - 2) computer-aided engineering
 - 3) moving mechanical systems
 - 4) differential algebraic systems
- 19- Why does the author mention velocity, pressure, and temperature in paragraph 2?
- 1) To point out some of the variables essential to developing atmospheric models
 - 2) To show how they cannot be considered without position and time
 - 3) To introduce the basic factors that affect human activities
 - 4) To discuss how they influence one another
- 20- According to paragraph 2, efficient allocation of resources can be achieved through -----.
- 1) partial differential equations
 - 2) parallel supercomputers
 - 3) optimization methods
 - 4) investment strategies

PASSAGE 2:

Many software bugs are merely annoying or inconvenient, but some can have extremely serious consequences - either financially or as a threat to human well-being. The following are a number of recent ones:

- An astronomical satellite was destroyed on March 26, 2016, when a thruster fired in the wrong direction, causing the spacecraft to spin faster instead of stabilizing it.

- In early 2019, a transportation-rental firm discovered a firmware bug in its electric scooters that could cause them to brake unexpectedly, which might hurl and injure riders.
- An unmanned spacecraft's mission to the moon was rendered unsuccessful on April 11, 2019, due to a software bug in its engine control system, which prevented it from slowing down during its final descent on the moon's surface. Engineers attempted to correct this bug by remotely rebooting the engine, but by the time they regained control of it, the spacecraft could not slow down in time to avert a hard crash-landing that disintegrated it.

21- Which of the following can be inferred from the passage?

- 1) Some software bugs are impossible to detect.
- 2) Software bugs are usually corrected by rebooting the system.
- 3) Some software bugs may go undetected until they cause serious harm.
- 4) Software bugs can be detected efficiently through test-driven development.

22- Which of the bugs mentioned in the passage threatened human well-being?

- 1) A hardware bug in brakes
- 2) A firmware bug in scooters
- 3) A software bug in engine control system
- 4) A software bug in thruster control system

23- Which of the following is more appropriate as a title for this passage?

- 1) Notorious Software Bugs
- 2) Prominent Debugging Methods
- 3) Bugs: Hardware and Software
- 4) Bugs: Unavoidable Causes and Consequences

24- Which of the following words is closer in meaning to "avert"?

- 1) Clear
- 2) Avoid
- 3) Resolve
- 4) Forfeit

25- The satellite mentioned in the passage was destroyed because -----.

- 1) its descent velocity could not be reduced quickly enough
- 2) its orbit had to be changed sooner than planned
- 3) its spinning velocity went out of control
- 4) its thrusters could not be ignited

PASSAGE 3:

Social computing is an area of computer science that is concerned with the intersection of social behavior and computational systems. It is based on creating or recreating social conventions and social contexts through the use of software and technology. Thus, blogs, email, instant messaging, social network services, wikis, social bookmarking and other instances of what is often called social software illustrate ideas from social computing. The premise of social computing is that it is possible to design digital systems that support useful functionality by making socially produced information available to their users. This information may be provided directly, as when systems show the number of users who have rated a review as helpful or not. Or the information may be provided after being filtered and aggregated, as is done when systems recommend a product based on what else people with similar purchase history have purchased.

In the past, to study the characteristics of social networks, questionnaires were designed, and volunteers in the network were invited to complete questionnaires. However, the amount of data collected from questionnaires was too huge and not enough to understand the whole perspective and essential mechanism of social events. With the development of mobile sensing, computer networks and artificial intelligence in recent years, it is possible to collect an abundance of data from various social multimedia. Big data in social networks also bring challenges in how to process social data and investigate human behavior. In addition, there are new and complex features in social networks, such as heterogeneous human properties, dynamic network structures, and random interpersonal interactions. Therefore, advanced multidisciplinary data collection and data mining methods should be proposed for social computing and developed to study social networks. We aim to provide comprehensive and high quality strategies, methods, architecture, algorithms, and features of the advanced data mining tools, and methods for social computing.

- 26- **The author starts the passage with -----.**
 1) exemplifying computational systems
 2) defining a specific area of computer science
 3) describing the challenges to social computing
 4) illustrating how social behavior and computational systems are similar
- 27- **The word “aggregated” in paragraph 1 is closest in meaning to -----.**
 1) clustered 2) examined 3) exported 4) transferred
- 28- **According to paragraph 2, studying social networks through questionnaires -----.**
 1) produces data that cannot be analyzed without professional software
 2) normally provides insufficient data due to lack of enough volunteers
 3) can only reveal the essential mechanism of social events
 4) does not result in a full understanding of social events
- 29- **Which of the following is not a challenge to social computing?**
 1) Processing big social data
 2) Investigating heterogeneous human properties in social networks
 3) Advent of complex features in social networks
 4) Collection of large data from social multimedia
- 30- **In paragraph 2, the author mentions “random interpersonal interactions” as -----.**
 1) a reason why new types of questionnaires are needed for studying social networks
 2) an example of the unpredictability of social networks
 3) a new and sophisticated feature in social networks
 4) what dynamic network structures include

ریاضیات (ریاضی عمومی (۱ و ۲)، معادلات دیفرانسیل، آمار و احتمال مهندسی، ریاضیات گسسته):

۳۱- حاصل حد $\lim_{n \rightarrow \infty} \cos \frac{x}{2} \cos \frac{x}{2^2} \cos \frac{x}{2^3} \dots \cos \frac{x}{2^n}$ ، کدام است؟

(۱) صفر

(۲) $\cos x$

(۳) $\frac{\sin x}{x}$

(۴) $\frac{\tan x}{x}$

۳۲- ربع دایره $x^2 + y^2 = 9$ را در ربع اول صفحه مختصات در نظر بگیرید. مساحت حاصل از دوران این ربع دایره حول خط $x + y = 3$ چند برابر 9π است؟

(۱) $\pi + 4$

(۲) $4 - \pi$

(۳) $\frac{1}{\sqrt{2}}(\pi + 4)$

(۴) $\frac{1}{\sqrt{2}}(4 - \pi)$

۳۳- طول قوس منحنی $9x^2 = 4y^3$ از نقطه $(0, 0)$ تا $(2\sqrt{3}, 3)$ ، کدام است؟

(۱) $\frac{13}{3}$

(۲) $\frac{14}{3}$

(۳) $\frac{16}{3}$

(۴) $\frac{17}{3}$

۳۴- اگر $S = \left\{ (x, y) \in \mathbb{R}^2, \frac{x^2}{36} + \frac{y^2}{16} \leq 1 \right\}$ باشد، آنگاه حاصل $\iint_S \left(\frac{x^2}{9} + \frac{y^2}{4} \right) dS$ کدام است؟

(۱) 96π

(۲) 72π

(۳) 48π

(۴) 24π

۳۵ مقدار حجم قسمتی از کره $x^2 + y^2 + z^2 = y$ که داخل استوانه $x^2 + y^2 = y$ قرار دارد، کدام است؟

(۱) $\frac{\pi}{6}$

(۲) $\frac{\pi}{3}$

(۳) $\frac{\pi}{2}$

(۴) $\frac{3\pi}{2}$

۳۶ فرض کنید میدان برداری $\vec{F}(x, y, z) = x\vec{i} - 2y\vec{j} + \vec{k}$ از سطح بسته مخروطی شکل S با معادله $\phi = \frac{\pi}{4}$ در

مختصات کروی و صفحه $z=2$ می‌گذرد. شار گذرا از سطح S کدام است؟

(۱) $-\frac{\pi}{3}$

(۲) $\frac{\pi}{3}$

(۳) $-\frac{8\pi}{3}$

(۴) $\frac{8\pi}{3}$

۳۷ اگر $y = x^2 \ln x$ یک جواب معادله دیفرانسیل $xy'' + ax'y' + by = 0$ باشد، حاصل $a + 2b$ کدام است؟

(۱) صفر

(۲) ۱

(۳) -۱

(۴) ۵

۳۸ تبدیل لاپلاس تابع $f(t) = \begin{cases} \cos t & 0 \leq t < \pi \\ 0 & t \geq \pi \end{cases}$ ، کدام است؟

(۲) $\frac{2se^{-\pi s}}{s^2 + 1}$

(۱) $\frac{2e^{-\pi s}}{s^2 + 1}$

(۴) $\frac{s(1 - e^{-\pi s})}{s^2 + 1}$

(۳) $\frac{s(1 + e^{-\pi s})}{s^2 + 1}$

۳۹ معادله شاخصی (مفسر) جواب معادله دیفرانسیل $4x^2 y'' + (3x + 1)y = 0$ به روش سری‌های توانی حول نقطه

$x = 0$ ، کدام است؟

(۱) $4r^2 - 4r + 1 = 0$

(۲) $4r^2 - 4r - 1 = 0$

(۳) $4r^2 + 4r + 1 = 0$

(۴) $4r^2 + 4r - 1 = 0$

۴۰- جواب خصوصی معادله دیفرانسیل $y'' - 2y' + y = \frac{1}{x}e^x$ کدام است؟

(۱) $y = xe^x \ln x$

(۲) $y = 2xe^x \ln x$

(۳) $y = \frac{2e^x \ln x}{x}$

(۴) $y = \frac{e^x \ln x}{x}$

۴۱- در یک منطقه حادثه‌خیز، سیل و زلزله با توزیع‌های مستقل یواسون با نرخ‌های به ترتیب ۱ و ۳ در سال اتفاق می‌افتند. اگر یک حادثه اتفاق بیفتد با چه احتمالی زلزله است؟

(۱) $\frac{1}{3}$

(۲) $\frac{3}{4}$

(۳) $3e^{-3}$

(۴) $\frac{3}{4}e^{-4}$

۴۲- فرض کنید $P(|X-4| < 2) = \frac{1}{4}$ و $P(|X-7| < 1) = \frac{1}{3}$ باشند. مقدار $P(|X-5| < 3)$ کدام است؟

(۱) $\frac{1}{5}$

(۲) $\frac{1}{6}$

(۳) $\frac{2}{3}$

(۴) $\frac{5}{6}$

۴۳- اگر برای هر a و b داشته باشیم: $P(X > a + b | X > b) = P(X > a)$ و $P(X > 1) = 0.5$ ، آنگاه $P(X \geq b)$ کدام است؟

(۱) $\left(\frac{1}{2}\right)^b$

(۲) $\left(\frac{1}{3}\right)^b$

(۳) $\left(\frac{2}{3}\right)^b$

(۴) بستگی به توزیع X دارد.

۴۴- تابع احتمال توأم متغیرهای تصادفی X, Y طبق جدول زیر داده شده است. اگر $P(X=0|Y=0) = \frac{3}{4}$ مقدار

	$Y=0$	$Y=1$
$X=0$	$\frac{1}{2}$	$\frac{1}{4}$
$X=1$	a	b

کدام است $P(Y=1|X=1)$ ؟

(۱) $\frac{1}{3}$

(۲) $\frac{1}{4}$

(۳) $\frac{2}{3}$

(۴) $\frac{3}{4}$

۴۵- فرض کنید $0/2, 0/3, 0/4, 0/7, 0/9$ یافته‌های یک نمونه تصادفی از توزیع $\text{Beta}(\theta, 1)$ با تابع چگالی احتمال زیر باشد. بر آورد ناریب $\frac{2}{1+\theta}$ کدام است؟

$f_{\theta}(x) = \theta x^{\theta-1}, 0 < x < 1, \theta > 0$

(۱) $0/5$

(۲) $0/75$

(۳) 1

(۴) $1/5$

۴۶- به چند طریق می‌توان پشت اعداد یک تا هفت علامت‌های مثبت یا منفی قرار داد، طوری که مجموع اعداد حاصل منفی شود؟

(۱) 7

(۲) 32

(۳) 60

(۴) 64

۴۷- مقدار 2^{1026} به پیمانه ۱۷ کدام است؟

(۱) 1

(۲) 2

(۳) 4

(۴) 7

۴۸- روی مجموعه $\{a, b, c\}$ چند رابطه می‌توان تعریف کرد که نه بازتابی باشد و نه پادمتقارن؟

(۱) 259

(۲) 128

(۳) 32

(۴) 7

۴۹- دنباله درجات یک گراف ساده، دنباله درجه رؤس گراف است که به صورت صعودی مرتب شده‌اند. کدام یک از دنباله‌های زیر نمی‌تواند دنباله درجات یک گراف ساده باشد؟

i - ۱، ۲، ۳، ۴، ۴، ۵، ۶، ۷

ii - ۲، ۲، ۳، ۳، ۶، ۶، ۶، ۶

iii - ۲، ۲، ۳، ۴، ۴، ۶، ۶، ۷

iv - ۱، ۱، ۲، ۴، ۶، ۷، ۷، ۸

(۱) i و ii (۲) ii و iv (۳) iii و iv (۴) فقط iv

۵۰- تعداد راه‌های پرداختن ۶۳ ریال به کمک سکه‌های ۱ و ۲ و ۵ ریالی، بدون آن‌که ترتیب پرداخت سکه‌ها مهم باشد، برابر با ضریب x^{63} در کدام عبارت است؟

(۱) $(x + x^2 + x^5)^{63}$

(۲) $(1 + x + x^2 + x^5)^{63}$

(۳) $((1+x)(1+x^2)(1+x^5))^{63}$

(۴) $(1+x+x^2+\dots)(1+x^2+x^4+\dots)(1+x^5+x^{10}+\dots)$

دروس تخصصی (نظریه زبان‌ها و ماشین‌ها، مدار منطقی، معماری کامپیوتر، ساختمان داده و الگوریتم، سیستم عامل، شبکه‌های کامپیوتری، هوش مصنوعی، کامپایلر، پایگاه داده):

۵۱- زبان‌های $L_1 = \emptyset$ و $L_2 = \{a\}$ را در نظر بگیرید. پاسخ $L_1 L_2^* \cup L_1^* L_2$ برابر با کدام مورد است؟

(۱) \emptyset

(۲) a^*

(۳) $\{\varepsilon\}$

(۴) $\{\varepsilon, a\}$

۵۲- DFA زیر را به نام A در نظر بگیرید، کدام یک از گزاره‌های زیر نا درست است؟

a - مکمل $L(A)$ زبانی مستقل از متن است.

b - $L(A) = L((1)^* 0 + 0) (0 + 1)^* 0^* 1^*$

c - برای زبان پذیرفته شده به وسیله A، یک DFA کمینه است.

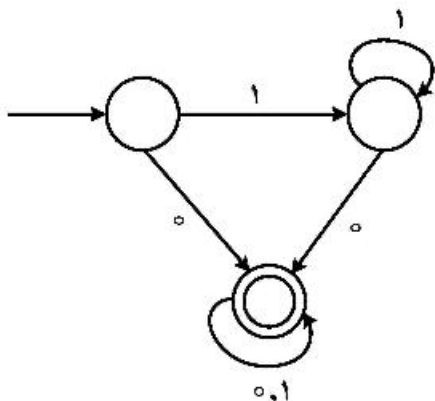
d - همه رشته‌های تعریف شده روی $\{0, 1\}$ با طول حداقل ۲ را می‌پذیرد.

(۱) تنها a و c

(۲) تنها b و c

(۳) تنها b و d

(۴) تنها c و d



۵۳- زبان $L = \{ab, aa, baa\}$ را در نظر بگیرید. کدام یک از رشته‌های زیر در L^* وجود دارند؟

الف - abaabaaabaa

ب - aaaabaaaa

ج - baaaaabaaaab

د - baaaaabaa

(۱) الف و ب و ج

(۲) الف و ب و د

(۳) الف و ج و د

(۴) ب و ج و د

۵۴- کدام یک از مسائل زیر تصمیم‌ناپذیر است؟

(۱) این که تعیین کنیم آیا یک گرامر مستقل از متن مبهم است یا خیر.

(۲) این که تعیین کنیم آیا زبان یک گرامر مستقل متناهی است یا خیر.

(۳) این که تعیین کنیم آیا زبان یک گرامر مستقل تهی است یا خیر.

(۴) این که تعیین کنیم آیا یک رشته به وسیله یک گرامر مستقل از متن پذیرفته می‌شود یا خیر.

۵۵- الفبای $A = \{a, b\}$ را در نظر بگیرید. زبان L شامل تمامی عبارات منظمی است که از الفبای A قابل ساخت هستند. کدام گزینه صحیح است؟

(۱) زبان L منظم و مستقل از متن نیست.

(۲) زبان L هم منظم و هم مستقل از متن است.

(۳) زبان L منظم است اما مستقل از متن نیست.

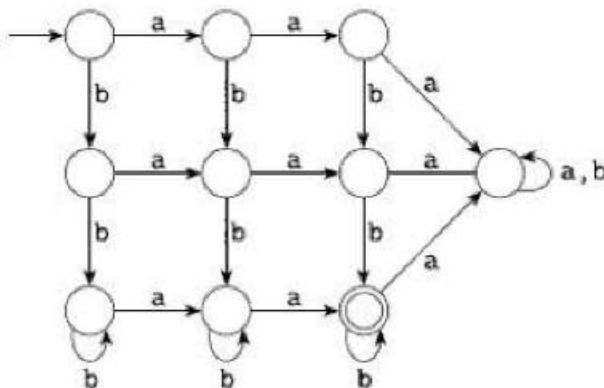
(۴) زبان L مستقل از متن است اما منظم نیست.

۵۶- بر الفبای $A = \{a, b\}$ ، دو زبان زیر را تعریف کرده‌ایم:

$$L_1 = \{\omega \mid \omega \text{ has exactly two } a\text{'s}\}$$

$$L_2 = \{\omega \mid \omega \text{ has exactly two } b\text{'s}\}$$

اگر L زبان پذیرفته شده توسط ماشین حالت متناهی زیر باشد، کدام گزینه صحیح است؟



(۱) $L = L_1 \cap L_2$

(۲) $L = L_1 \cup L_2$

(۳) $L = L_1 - L_2$

(۴) $L = L_2 - L_1$

۵۷- گرامر زیر را در نظر بگیرید:

$A \rightarrow D A D | B$

$B \rightarrow \circ C 1 | 1 C \circ$

$C \rightarrow D C D | D | \varepsilon$

$D \rightarrow \circ | 1$

زبانی که گرامر فوق تولید می کند کدام است؟

(۱) $L(G) = \{ \omega \omega \in \{ \circ, 1 \}^*, \omega = \omega^R \}$

(۲) $L(G) = \{ \omega \omega \in \{ \circ, 1 \}^*, \omega \neq \omega^R \}$

(۳) $L(G) = \{ \omega \omega \in \{ \circ, 1 \}^*, \omega = \phi \cdot \phi^R \}$

(۴) $L(G) = \{ \omega \omega \in \{ \circ, 1 \}^*, \omega \neq \phi \cdot \phi^R \}$

۵۸- کدام یک از گزاره های زیر درست است؟

(۱) مجموعه همه زبان های نامنظم روی یک الفبا شمارا است.

(۲) مجموعه تمام ماشین های تورینگ روی یک الفبا ناشمارا است.

(۳) مجموعه تمام ماشین های تورینگ روی یک الفبا شمارا است.

(۴) مجموعه همه رشته های تعریف شده روی یک الفبا ناشمارا است.

۵۹- زبان های $L_1 = \{ x \# y \mid x, y \in \{ \circ, 1 \}^*, x \neq y \}$ و $L_2 = \{ x \# y \mid x, y \in \{ \circ, 1 \}^*, x = y \}$ را در نظر بگیرید.

در این خصوص کدام مورد درست است؟

(۱) L_1 و L_2 هر دو مستقل از متن اند.

(۲) L_1 مستقل از متن است ولی L_2 مستقل از متن نیست.

(۳) L_2 مستقل از متن است ولی L_1 مستقل از متن نیست.

(۴) هیچکدام از زبان های L_1 و L_2 مستقل از متن نیستند.

۶۰- در خصوص زبان $L = \{ a^n b^m a^m b^m : n \geq 5, m \geq 10 \}$ کدام مورد درست است؟

(۱) زبانی مستقل از متن نمی باشد.

(۲) یک زبان مستقل از متن مبهم است.

(۳) یک زبان مستقل از متن قطعی است.

(۴) یک زبان مستقل از متن غیرقطعی است.

۶۱- عدد ۱۰۱۱۰۰ را در نمایش Gray در نظر بگیرید. کدام گزینه نمایش باینری این عدد است؟

(۱) ۱۱۱۰۱۱

(۲) ۱۰۱۱۰۰

(۳) ۱۱۰۱۱۰

(۴) ۱۱۰۱۱۱

۶۲- فرض کنید تابع $f(a, b, c, d) = \sum m(\circ, 1, 4, 7, 11, 15) + d(5)$ داده شده است. در این تابع، کدام گزینه

Essential Prime Implicant ها را نشان می دهد؟

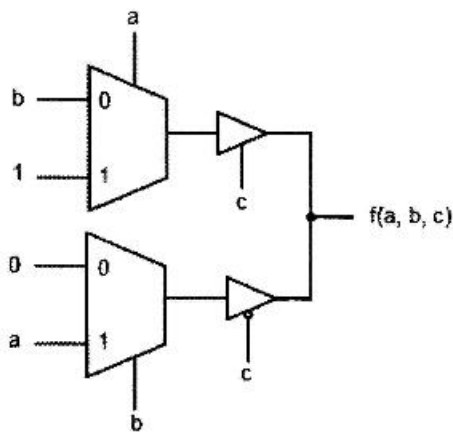
(۱) $\overline{a}c, acd$

(۲) $\overline{a}c, bcd, acd$

(۳) $\overline{a}c, \overline{a}bd, bcd$

(۴) $\overline{a}c, \overline{a}bd, bcd, acd$

۶۳- شکل زیر پیاده‌سازی کدام تابع را نشان می‌دهد؟



(۱) $ab + ac$

(۲) $ac + bc$

(۳) $ab + ac + bc$

(۴) $ac + a\bar{c} + b\bar{c}$

۶۴- در یک مدار ترتیبی با سه فلیپ‌فلاپ از نوع D، معادلات ورودی فلیپ‌فلاپ‌ها به صورت زیر است:

$$D_A = \bar{C}, \quad D_B = A \oplus C, \quad D_C = B$$

اگر در شروع کار همه فلیپ‌فلاپ‌ها Clear شوند و خروجی مدار ABC باشد، این مدار چه سیکلی را می‌شمارد؟

(۱) ۰, ۴, ۶, ۷, ۱

(۲) ۰, ۴, ۶, ۷, ۱, ۲

(۳) ۰, ۴, ۶, ۱, ۷, ۲

(۴) ۰, ۴, ۶, ۷, ۱, ۲, ۵

۶۵- جدول حالت زیر پس از کاهش تعداد حالات دارای چند حالت خواهد بود؟

PS	NS/Output	
	x = 0	x = 1
a	f/0	b/0
b	d/0	c/0
c	f/0	c/0
d	g/1	a/0
e	d/0	c/0
f	f/1	b/1
g	g/0	h/1
h	g/1	a/0

(۱) ۴

(۲) ۵

(۳) ۶

(۴) ۷

۶۶- کدام جمله در مورد ماهیت هازارد صحیح نیست؟

(۱) رخداد هازارد در یک مدار با فیدبک آسنکرون ممکن است منطق مدار را تغییر دهد.

(۲) رخداد هازارد ممکن است تابع منطقی مدار را تغییر ندهد اما باعث افزایش تأخیر در مدار می‌شود.

(۳) در حالت کلی رخداد هازارد، صرف‌نظر از تأثیر منطقی آن مصرف انرژی مدار را افزایش می‌دهد.

(۴) در یک مدار سنکرون با کلاک، در صورت تعیین صحیح پریود کلاک، رخداد هازارد منطق مدار را تغییر نمی‌دهد.

۶۷- طبق قضیه DeMorgan مکمل تابع F کدام است؟

$$F(X, Y, Z) = X(YZ' + Y'Z)$$

(۱) $F'(X, Y, Z) = X' + (Y' + Z)(Y + Z')$

(۲) $F'(X, Y, Z) = X'(Y' + Z)(Y + Z')$

(۳) $F'(X, Y, Z) = X' + (Y'Z + YZ')$

(۴) $F'(X, Y, Z) = X'YZ' + X'Y'Z$

۶۸- خروجی کنونی (در لحظه t) یک فلیپ فلاپ JK برابر $Q = 0$ است. کدام ورودی‌ها منجر به حالت $Q(t+1) = 1$ می‌شود؟ (بهترین و کامل‌ترین جواب را انتخاب کنید).

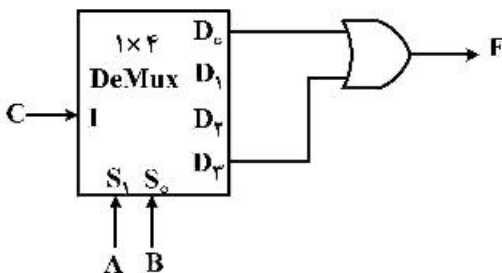
(۱) $K = 0, J = 1$

(۲) $K = 1, J = 0$

(۳) $K = 1, J = X$

(۴) $K = X, J = 1$

۶۹- تابع $F(A, B, C)$ در شکل زیر کدام است؟



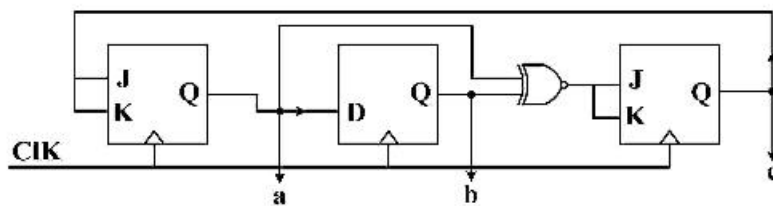
(۱) $\bar{A} \cdot (B \odot C)$

(۲) $A \cdot (B \oplus C)$

(۳) $C \cdot (B \odot A)$

(۴) $\bar{C} \cdot (B \oplus A)$

۷۰- مدار زیر با فرض صفر بودن خروجی همه فلیپ فلاپ‌ها در زمان صفر، پس از زدن چهار پالس ساعت، چه رشته بیتی را در خروجی abc خود (از چپ به راست) نشان می‌دهد؟



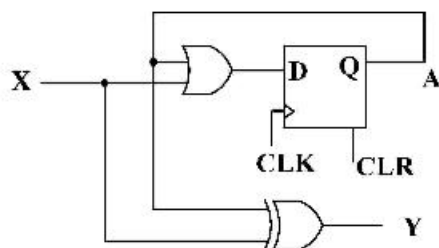
(۱) ۰۰۰

(۲) ۰۰۱

(۳) ۱۰۰

(۴) ۱۱۱

۷۱- مدار ترتیبی زیر را در نظر بگیرید. با فرض اینکه فلیپ فلاپ A در ابتدا به کمک ورودی آسنکرون CLR مقدار صفر بگیرد، در صورت ورود دنباله $X = 101100110$ (از سمت راست)، خروجی Y کدام است؟



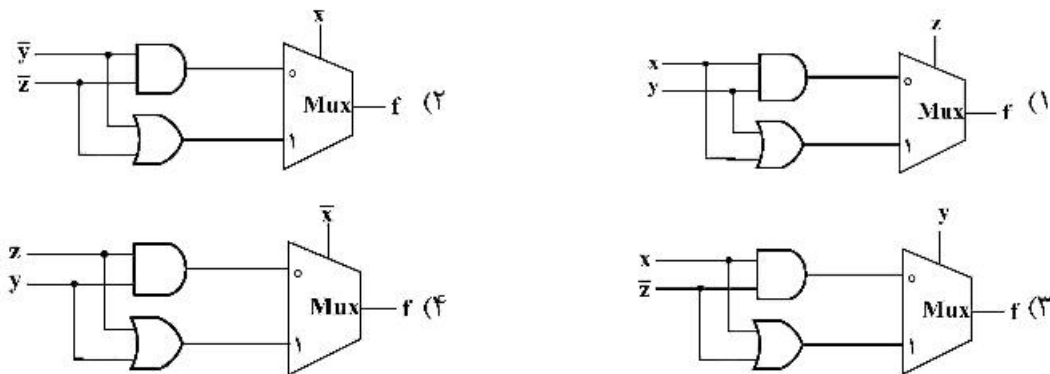
(۱) ۰۱۰۰۱۱۰۱۰

(۲) ۰۱۰۰۱۱۰۰۱

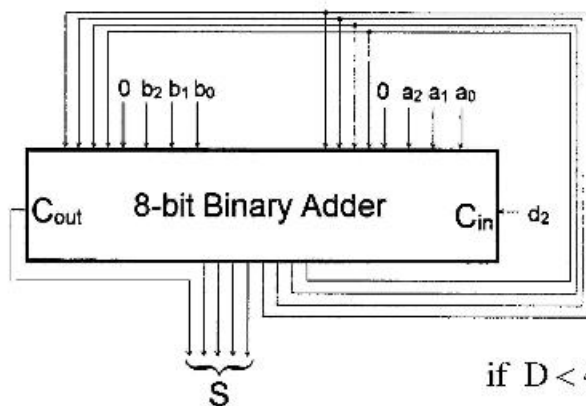
(۳) ۱۰۱۱۰۰۱۱۱

(۴) ۱۱۱۰۰۰۱۰۱

۷۲- کدام مدار معادل با تابع $f(x, y, z) = xy + xz + yz$ است؟



۷۳- اعداد ۳ بیتی دودویی محض بدون علامت $A = a_2a_1a_0$ و $B = b_2b_1b_0$ و $D = d_2d_1d_0$ مفروضند. خروجی مدار زیر کدام است؟

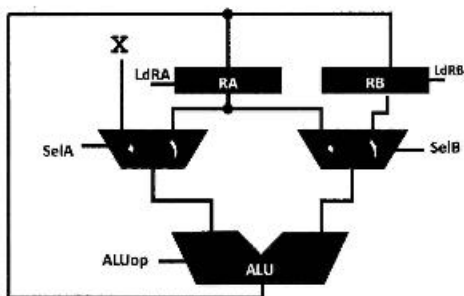


- (۱) if $D < 4$ then $S = A + B + 1$ else $S = A + B$;
- (۲) if $D > 3$ then $S = 2(A + B + 1)$ else $S = A + B$;
- (۳) if $D > 3$ then $S = 2A + 2B + 2$ else $S = 2A + 2B$;
- (۴) if $D < 4$ then $S = 2A + 2B + 1$ else $S = 2A + 2B$;

۷۴- کدام گزاره صحیح نیست؟

- (۱) کمترین تعداد ممکن جمع/تفریق، در ضرب دو عدد علامت‌دار در الگوریتم Booth صفر است.
- (۲) الگوریتم Booth برای ضرب دو عدد علامت‌دار، در نمایش ۲'s complement هم قابل استفاده است.
- (۳) با عوض کردن جای دو عامل ضرب (عملوند اول و عملوند دوم ضرب) در الگوریتم Booth تعداد گام‌ها ثابت می‌ماند.
- (۴) تعداد گام‌ها برای محاسبه حاصل‌ضرب دو عدد n بیتی با استفاده از الگوریتم Booth کمتر از الگوریتم add-and-shift است.

۷۵- مسیر داده (datapath) زیر داده شده است و ALU تنها عملیات ضرب، جمع، و انتقال (خروجی برابر با یکی از ورودی‌ها) دارد. برای محاسبه $x(x+2)$ و ثبت آن در RA در چند کلاک لازم است؟



- (۱) ۳ کلاک
- (۲) ۴ کلاک
- (۳) ۵ کلاک
- (۴) با این مسیر داده و قابلیت‌های ALU امکان‌پذیر نیست.

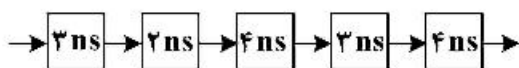
۷۶- اگر حجم حافظه اصلی ۴ مگابایت باشد، و حافظه Cache به صورت ۴-way Set Associative باشد و دارای گنجایش ۱۲۸ کیلوبایت باشد. با فرض اینکه هر بلوک ۱۶ بایت است، میزان سربار اضافه شده به Cache (شامل فیلد نشان: tag و بیت اعتبار: valid) چند کیلوبایت است؟

- (۱) ۱۶
- (۲) ۳۲
- (۳) ۶۴
- (۴) ۹۶

۷۷- در کامپیوتری طول دستورات ۱۴ بیتی و فیلدهای مربوط به آدرس ۵ بیتی است. اگر این پردازنده ۱۴ دستور مختلف دو اپرندی و ۶۰ دستور یک اپرندی داشته باشد، تعداد دستورات صفر اپرندی این پردازنده کدام است؟

- (۱) ۶۰
- (۲) ۶۴
- (۳) ۱۲۸
- (۴) ۱۶۰

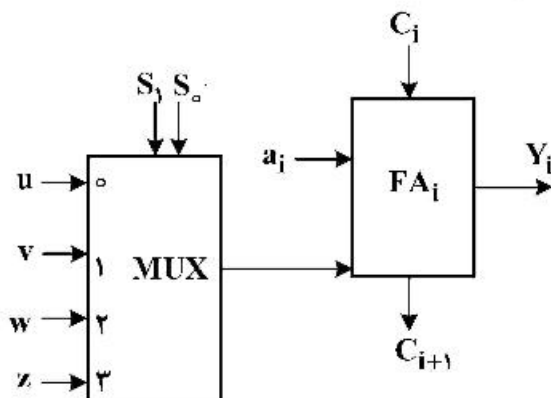
۷۸- یک پردازنده با ۵ مرحله مطابق شکل زیر در نظر بگیرید. اگر تأخیر ثبات‌هایی که برای پایپ لاین شدن اضافه می‌شوند، برابر ۱ نانوثانیه باشد، بیشترین میزان تسریع این پایپ لاین چند نانوثانیه است؟



- (۱) ۳
- (۲) ۳/۲
- (۳) ۳/۵
- (۴) ۴

۷۹- شکل سمت چپ زیر یکی از طبقات یک مدار حسابی است که ورودی‌های a_i ، b_i ، C_{in} (بیت نقلی) را گرفته، خروجی Y را بر حسب A ، B و C_{in} محاسبه می‌کند. (در شکل، محل اتصال b_i یا مکمل آن b_i' ، عمداً مشخص نشده است). FA_i یک تمام‌افزا (Full adder) برای بیت i ام است.

با توجه به جدول عملکرد سمت راست، مقادیر (u, v, w, z) به ترتیب کدام است؟



S_1	S_0	Y ($C_{in} = 0$)	Y ($C_{in} = 1$)
0	0	$A + B$	$A + B + 1$
0	1	$A - B + 1$	$A - B$
1	0	A	$A + 1$
1	1	$A - 1$	A

- (۱) $(b_i, b_i', 0, 1)$
- (۲) $(b_i', b_i, 0, 1)$
- (۳) $(1, 0, b_i, b_i')$
- (۴) $(0, 1, b_i', b_i)$

۸۰- مقادیر حافظه در آدرس‌های مختلف در شکل زیر مشخص شده است.

ثبات‌های A, B, C و D نیز به ترتیب با مقادیر اولیه: 100, 110, 0 و 1 مقداردهی شده‌اند.

مشخص کنید خروجی برنامه زیر کدام است؟ (توجه: جهت عملیات از راست به چپ است.)

بعد از اجرای برنامه زیر مقادیر ثبات‌های D و C و B و A به ترتیب کدام است؟

```

move D,10[A]
move A,20[B]
mult D,A
move C,[D]
xchg B,C ; Exchange Registers Contents
    
```

آدرس	حافظه	
100:	100	(۱) ۱۲۰, ۱۱۰, ۱۲۰, -۱۲
110:	-10	(۲) ۱۱۰, ۱۳۰, ۱۱۰, ۱۳۰
120:	120	(۳) ۱۲۰, -۱۲, ۱۱۰, ۱۳۰
130:	-12	(۴) ۱۳۰, -۱۱۰, ۱۲۰, ۱

۸۱- بیت‌های وضعیت یک ALU شامل موارد زیر است:

c: رقم نقلی

z: بیت نشانگر صفر شدن خروجی ALU

v: بیت پرچم سرریز (Overflow)

s: بیت علامت نتیجه ALU

بسته به اینکه عملوندهای A و B با علامت یا بدون علامت فرض شوند، مشخص کنید کدام مورد شرط $A \geq B$ را ارضا می‌کند؟ (توجه کنید که در حالت اعداد علامت‌دار، نمایش آن‌ها به صورت مکمل ۲ می‌باشد.)

	بدون علامت	با علامت	
(۱)	S=0	S=0	
(۲)	C=1	$V \odot S = 1$	
(۳)	S=1	S=1	
(۴)	C=0	$V \oplus S = 1$	

۸۲- دو عدد ۱۶ بیتی $A = a_{15} a_{14} \dots a_1 a_0$ و $B = b_{15} b_{14} \dots b_1 b_0$ توسط یک جمع‌کننده ۱۶ بیتی دودویی جمع شده و حاصل $S = s_{16} s_{15} \dots s_1 s_0$ تولید می‌شود. درخصوص گزاره‌های «الف» و «ب» کدام گزینه درست است؟

الف) در نمایش مکمل ۲، $s_{15} \oplus s_{14}$ نشان‌دهنده سرریزی است.

ب) در نمایش دودویی محض و بدون علامت، $s_{15} \oplus a_{15} \oplus b_{15}$ نشان‌دهنده سرریزی است.

(۱) «الف» و «ب» درست هستند.

(۲) «الف» درست اما «ب» نادرست است.

(۳) «الف» نادرست ولی «ب» درست است.

(۴) «الف» و «ب» نادرست است.

۸۳- حجم حافظه اصلی در یک کامپیوتر M کلمه است که X برابر حجم حافظه نهان (اندازه بلوک $B = 2b$ کلمه) می‌باشد. طول میدان نشان (Tag) در حافظه نهان با نگاهت مستقیم (direct mapped)، مجموعه انجمنی W -راهه (W-way set-associative)، و انجمنی کامل (Fully-associative) به ترتیب کدام است؟

(فرض کنید $W = 2^w$ ، $X = 2^x$ ، $M = 2^m$)

(۱) $m - b$ و $x + w$ ، $m - x$

(۲) $m - x$ و $x - w$ ، x

(۳) $m - b$ و $x + w$ ، x

(۴) $m - x$ و $x - w$ ، $m - x$

۸۴- در یک کامپیوتر دو آدرس با طول کلمه ۱۶ بیت (طول واحد آدرس پذیر ۸ بیتی) و حافظه‌ای به حجم ۶۴ کیلوبایت، دستورات در دو قالب یک و دو کلمه‌ای کد می‌شوند و شیوه نشانی‌دهی مورد استفاده مستقیم حافظه‌ای و ثباتی است. اگر تعداد دستورات یک کلمه‌ای ۱۵ باشد (با فرض استفاده کامل از فضای opcode) حداکثر تعداد دستورات دو کلمه‌ای کدام است؟

(۱) ۱۰۲۳

(۲) بیشتر از ۱۰۲۳

(۳) کمتر از ۱۰۲۳

(۴) با این اطلاعات قابل تعیین نیست.

۸۵- به ازای چند زوج (a, b) از اعداد طبیعی کوچکتر از ۵، جواب رابطه بازگشتی $T(n) = aT(n/b) + n^2$ برابر $\theta(n^2)$ می‌شود؟

(۱) ۷

(۲) ۸

(۳) ۱۱

(۴) ۱۲

۸۶- جدول درهم‌سازی ۱۰ خانه‌ای و تابع درهم‌ساز $h(x) = 3x + 5 \pmod{10}$ و روش زنجیره‌ای به‌عنوان روش رفع تصادم را در نظر بگیرید. در این خصوص کدام گزینه درست است؟

(۱) احتمال آن‌که ورودی $X = 4$ به خانه ۷ نگاشت شود برابر ۱ است.

(۲) احتمال آن‌که ورودی $X = 4$ به خانه ۷ نگاشت شود برابر ۰ است.

(۳) احتمال آن‌که ورودی $X = 4$ به خانه ۷ نگاشت شود برابر $\frac{1}{10}$ است.

(۴) احتمال آن‌که دو ورودی مختلف به یک خانه نگاشت شوند برابر $\frac{1}{10}$ است.

۸۷- فرض کنید یک آرایه مرتب از n عدد صحیح در اختیار داریم. با چه تعداد مقایسه می‌توانیم بفهمیم عددی بیش از $n/5$ بار در آرایه تکرار شده است یا خیر؟ (بهترین گزینه را انتخاب کنید).

(۱) $O(n)$

(۲) $O(\log n)$

(۳) $O(\log^* n)$

(۴) $O(\log \log n)$

۸۸- اعداد صحیح x_1, \dots, x_n را در یک درخت دودویی جستجو با ارتفاع h ذخیره کرده‌ایم. فرض کنید هزینه جستجوی x_i (تعداد مقایسه‌های لازم در درخت برای پیدا کردن x_i) برابر c_i باشد. می‌دانیم

$$\sum_{i=1}^n c_i = O(n \log n) \text{ است. کدام گزینه زیر درست است؟}$$

(۱) $h = \Omega(\sqrt{n})$

(۲) $h = O(\log n)$

(۳) $h = O(\sqrt{n \log n})$

(۴) می‌توان مثالی زد که $h = \Omega(n)$ باشد.

۸۹- فرض کنید $T(n)$ متوسط زمان اجرای الگوریتم مرتب‌سازی سریع به ازای همه جایگشت‌های ممکن ورودی از n عدد متمایز باشد. کدام رابطه بازگشتی زیر درست است؟

(۱) $T(n) = O(n) + \sum_{i=0}^{n-1} (T(i) + T(n-i))$

(۲) $T(n) = O(n) + (\sqrt{n}) \sum_{i=0}^{n-1} (T(i) + T(n-i))$

(۳) $T(n) = (\sqrt{n})(O(n) + \sum_{i=0}^{n-1} (T(i) + T(n-i)))$

(۴) $T(n) = O(n) + (\sqrt{n}) \sum_{i=0}^{n-1} \min(T(i), T(n-i))$

۹۰- فرض کنید T درخت جستجوی عمق اول گراف همبند و بدون جهت G است. دو رأس u و v در این درخت برگ و در G دارای درجه حداقل ۲ هستند. کدام یک از گزاره‌های زیر صحیح است؟

(الف) باید یک رأس w وجود داشته باشد که با u و v در G همسایه باشد.

(ب) باید یک رأس w وجود داشته باشد که حذف آن را از v در G جدا می‌کند.

(۱) (الف) نادرست، (ب) نادرست

(۲) (الف) نادرست، (ب) درست

(۳) (الف) درست، (ب) نادرست

(۴) (الف) درست، (ب) درست

۹۱- فرض کنید آرایه $A[1..n]$ شامل n عدد صحیح متمایز است که به صورت صعودی مرتب شده‌اند. چند تا از مسائل زیر را می‌توان با مرتبه زمانی $O(\log n)$ حل کرد؟

- پیدا کردن یک اندیس i طوری که $A[i] = i$ شود.
- پیدا کردن یک اندیس i طوری که $A[i] = 3i + 2$ شود.
- پیدا کردن یک اندیس i طوری که $A[i] = 4i^2 + 3i + 5$ شود.

(۱) ۰

(۲) ۱

(۳) ۲

(۴) ۳

۹۲- چند مورد از مسائل ان پی - سخت زیر هنگامی که ورودی یک درخت بدون وزن است، در زمان چند جمله‌ای قابل حل هستند؟

- پیدا کردن طولانی‌ترین مسیر
- محاسبه کمینه رنگ مورد نیاز برای رنگ آمیزی رأسی به طوری که رئوس مجاور هم رنگ نباشند.
- پیدا کردن بزرگ‌ترین مجموعه مستقل (مجموعه رئوسی که بین هر دو رأس یالی وجود نداشته باشد).

- (۱)
۱ (۲)
۲ (۳)
۳ (۴)

۹۳- گراف همبند و وزن دار G را در نظر بگیرید. درخت پوشای کمینه G لزوماً یکتا نیست و G می‌تواند چندین درخت پوشای کمینه داشته باشد. فرض کنید T یک درخت پوشای کمینه دلخواه از G باشد. کدام یک از گزاره‌های زیر درست هستند؟

- (الف) حتماً یک اجرا از الگوریتم پریم وجود دارد که T را تولید کند.
 (ب) حتماً یک اجرا از الگوریتم کروسکال وجود دارد که T را تولید کند.
 توجه کنید زمانی که وزن یال‌ها متمایز نیست، می‌توان اجراهای متفاوتی برای هر دو الگوریتم پریم و کروسکال در نظر گرفت. در واقع وقتی چندین یال دارای وزن یکسان باشند، می‌توان هر ترتیبی از آن‌ها را برای پردازش مورد نظر الگوریتم‌های فوق در نظر گرفت.

- (۱) (الف) درست، (ب) درست
 (۲) (الف) درست، (ب) نادرست
 (۳) (الف) نادرست، (ب) درست
 (۴) (الف) نادرست، (ب) نادرست

۹۴- فرض کنید در کدگذاری هافمن، طول کد همه کاراکترها یکسان شده است. با فرض آن که تعداد کاراکترها ۳۲ می‌باشد، چند تا از گزاره‌های زیر همیشه درست است؟

- تعداد تکرار همه کاراکترها یکسان است.
- اختلاف تکرار هر دو کاراکتر حداکثر یک است.
- اختلاف تکرار هر دو کاراکتر حداکثر دو است.
- به ازای هر عدد ثابت c می‌توان مثالی زد که دو کاراکتر وجود داشته باشند که اختلاف تکرارشان حداقل c باشد.

- (۱)
۱ (۲)
۲ (۳)
۳ (۴)

۹۵- الگوریتم خرد کردن پول با روش حریصانه «استفاده از پر ارزش‌ترین سکه، تا حد امکان» روی کدام مجموعه سکه‌ها، لزوماً جواب بهینه (با کم‌ترین تعداد سکه) را تولید نمی‌کند؟ (فرض کنید از سکه‌های هر مجموعه به تعداد نامتناهی داریم).

- (۱) $\{1, 2, 5\}$ (۲) $\{1, 4, 7\}$ (۳) $\{1, 5, 10\}$ (۴) $\{1, 7, 10\}$

۹۶- فرض کنید در الگوریتم مرتب‌سازی سریع پس از عمل بخش‌بندی (Partition) آرایه $\langle 3, 1, 2, 4, 5, 8, 7, 6, 9 \rangle$ به‌دست آمده است. چند عدد از بین ۹ عدد در آرایه ممکن است محور این بخش‌بندی قرار گرفته باشند؟

- ۲ (۱) ۳ (۲) ۴ (۳) ۵ (۴)

۹۷- فرض کنید برای درهم‌سازی از روش زنجیره‌ای با یک جدول به اندازه m استفاده شده است. تابع درهم‌ساز رکورد با کلید k را به خانه $k \bmod m$ نگاشت می‌کند. اگر بدانیم کلید رکوردها، زیرمجموعه $\{i^2 \mid 1 \leq i \leq 100\}$ است، به‌ازای کدام m هزینه جست‌وجو در بدترین حالت کم‌تر است؟

- ۷ (۱)
- ۹ (۲)
- ۱۱ (۳)
- ۱۲ (۴)

۹۸- کدام یک از دنباله‌های زیر (به ازای n های بزرگ) بیش‌ترین ارتفاع ممکن را برای درخت هافمن ایجاد می‌کند؟ (اعضای دنباله‌ها نشان‌دهنده تعداد تکرار کاراکترها در متن ورودی است نه خود کاراکترها.)

- (۱) دنباله از n عدد برابر
- (۲) دنباله از n عدد فیبوناچی پشت سر هم
- (۳) دنباله $(1, 2, 3, 4, 5, \dots, n)$
- (۴) دنباله $(1^2, 2^2, 3^2, 4^2, 5^2, \dots, n^2)$

۹۹- الگوریتم زیر ساختار فرایند P_i برای حل مسئله ناحیه بحرانی (Critical-Problem) در حالتی که n فرایند وجود داشته باشد، است. در خصوص این الگوریتم کدام گزینه صحیح است؟

```
do {
    waiting[i] = true;
    key = true;
    while (waiting[i] && key)
        key = test_and_set(&lock);
    waiting[i] = false;
    /* critical section */
    j = (i + 1) % n;
    while (!waiting[j])
        j = (j + 1) % n;
    if (j == i)
        lock = false;
    /* remainder section */
} while (true);
```

- (۱) سه شرط مسئله ناحیه بحرانی (انحصار متقابل، پیشرفت، انتظار محدود) را به‌ازای مقدار دلخواه n برآورده می‌کند.
 - (۲) سه شرط مسئله ناحیه بحرانی (انحصار متقابل، پیشرفت، انتظار محدود) را تنها به‌ازای مقدار $n = 2$ برآورده می‌کند.
 - (۳) شرط پیشرفت را تنها به‌ازای مقدار n بزرگتر از ۲ برآورده نمی‌کند.
 - (۴) شرط پیشرفت را هرگز برآورده نمی‌کند.
- ۱۰۰- الگوریتم بانکدار (Banker) برای حل کدام مسئله به‌کار می‌رود؟

- (۱) دوری از بن‌بست
- (۲) تشخیص بن‌بست
- (۳) جلوگیری از بن‌بست
- (۴) ترمیم (Recovery) بن‌بست

۱۰۱- کدام گزینه درباره ریشه‌های (Threads) سطح کاربر و سطح هسته درست است؟

- ۱) زمان‌بندی ریشه‌های سطح هسته سریعتر از ریشه‌های سطح کاربر است.
- ۲) ریشه‌های سطح کاربر و سطح هسته از طریق فراخوانی سیستمی (System calls) به هم سرویس می‌دهند.
- ۳) ریشه‌های سطح کاربر و سطح هسته می‌توانند به فضای آدرس هم دسترسی داشته و می‌توانند در فضای آدرس هم بنویسند.
- ۴) ریشه‌های سطح هسته به فضای آدرس ریشه‌های سطح کاربر دسترسی دارند، اما ریشه‌های سطح کاربر به فضای آدرس ریشه‌های سطح هسته دسترسی ندارند.

۱۰۲- در یک سیستم عامل از صفحه‌بندی وارون (Inverted paging) استفاده می‌شود. کدام گزینه در مورد جدول صفحه درست است؟

- ۱) یک جدول صفحه عمومی که براساس شماره قاب مرتب شده است.
- ۲) یک جدول صفحه عمومی که براساس شماره پردازنده مرتب شده است.
- ۳) یک جدول صفحه عمومی که براساس شماره آدرس مجازی مرتب شده است.
- ۴) هر پردازنده دارای یک جدول صفحه اختصاصی است که براساس شماره قاب مرتب شده است.

۱۰۳- در یک سیستم که تخصیص حافظه در آن براساس صفحه‌بندی (Paging) انجام می‌شود، اندازه هر فریم (Frame) برابر ۲۰۴۸ بایت است. شکل زیر، حافظه اصلی سیستم است، که قسمت‌های خاکستری فریم‌های تخصیص داده شده به یک پردازنده هستند. اگر Internal Fragmentation برابر ۹۰۰ بایت باشد، اندازه پردازنده و External Fragmentation چند بایت است؟



- ۱) اندازه پردازنده برابر ۱۲۲۸۸ بایت و اندازه External Fragmentation برابر ۱۴۳۳۶ بایت است.
- ۲) اندازه پردازنده برابر ۱۲۲۸۸ بایت و اندازه External Fragmentation برابر صفر است.
- ۳) اندازه پردازنده برابر ۱۱۳۸۸ بایت و اندازه External Fragmentation برابر صفر است.
- ۴) اندازه پردازنده برابر ۶ بایت و اندازه External Fragmentation برابر ۷ بایت است.

۱۰۴- در یک سیستم صفحه‌بندی (paging)، طول آدرس منطقی ۱۹ بیت است. اگر تعداد صفحات موجود در فضای آدرس منطقی ۱۲۹ صفحه باشد و قرار باشد به یک فضای آدرس فیزیکی ۱ مگابایتی نگاهشست صورت گیرد، هر مدخل (entry) از جدول صفحه (Page table) باید چند بیت باشد؟ (بدون در نظر گرفتن بیت valid یا invalid در (page table)

- ۱) ۸
- ۲) ۹
- ۳) ۱۷
- ۴) ۲۰

۱۰۵- در یک سیستم زمان بندی MLFQ دو صف RR با برش زمانی ۳ و ∞ وجود دارد. میانگین زمان بازگشت برای پردازش‌های زیر کدام است؟

	arrival time	CPU Burst ۱	I/O Burst ۱	CPU Burst ۲
p۱	۰	۳	۶	۲
p۲	۳	۷	۵	۱
p۳	۴	۲	۴	۴
p۴	۱۱	۵	۳	۱

۲۱/۵ (۱)

۱۷ (۲)

۱۶/۵ (۳)

۱۴ (۴)

۱۰۶- یک سامانه مدیریت حافظه را در نظر بگیرید. که تنها چهار قاب به پردازش اختصاص داده شده است که در ابتدا خالی هستند. حال پردازش صفحات را به ترتیب از چپ به راست ۷، ۶، ۱، ۲، ۲، ۳، ۴، ۳، ۲، ۱، ۲، ۳، ۴، ۱ ارجاع می‌کند. اگر این سیستم مدیریت حافظه از روش LRU برای جایگزینی صفحه استفاده کند، چه تعداد نقص صفحه خواهیم داشت؟

۷ (۱)

۸ (۲)

۹ (۳)

۱۰ (۴)

۱۰۷- در یک دستگاه دیسک‌خوان، بازو روی سیلندر ۳۵ قرار دارد و جهت حرکت آن به سمت شیارهای بزرگتر با شماره بزرگتر است. اگر زمان انتقال از یک سیلندر به بعدی ۵ms باشد و از الگوریتم آسانسور برای دستیابی به سیلندرها استفاده شود، کل زمان جستجو برای دستیابی به سیلندرهایی که شماره‌های زیر (به ترتیب از چپ به راست) چند میلی ثانیه است؟

۳۴، ۴۵، ۳۹، ۸۰، ۱۲، ۲۵، ۴۴

۵۶۵ (۱)

۵۷۵ (۲)

۶۶۵ (۳)

۶۷۵ (۴)

۱۰۸- کدام عبارت ذیل نمی‌تواند خروجی اجرای هم‌روند فرایندهای P_1 و P_2 باشد؟ (s۱ متغیر سراسری با مقدار اولیه

صفر می‌باشد.)

P_1	P_2
Print "A"	Print "C"
wait(s)	signal(s)
Print "B"	Print "D"

ABCD (۱)

ACDB (۲)

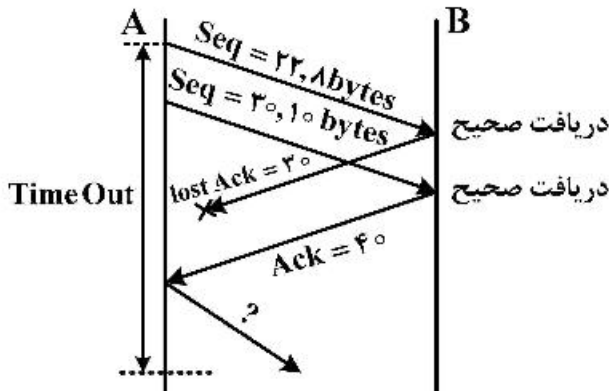
CA BD (۳)

CA DB (۴)

۱۰۹- در مقایسه پروتکل‌های مسیریابی حالت لینک (مانند OSPF) با پروتکل‌های مسیریابی بردار فاصله (مانند RIP)، کدام گزینه صحیح نیست؟

- (۱) پروتکل‌های حالت لینک از الگوریتم دایجسترا توزیع شده برای محاسبه کوتاه‌ترین مسیر بهره می‌برند.
- (۲) پروتکل‌های بردار فاصله ممکن است با مشکل شمارش به بی‌نهایت مواجه شوند.
- (۳) پروتکل‌های بردار فاصله نیازمند یک همه پخش سیل آسا مطمئن هستند.
- (۴) پروتکل‌های حالت لینک برای شبکه‌های بزرگ قابل استفاده هستند.

۱۱۰- رفتار فرستنده TCP (Action) در سناریوی شکل زیر پس از دریافت $Ack = 40$ کدام است؟ (seq شماره دنباله سگمنت ارسالی و Ack شماره بایت بعدی مورد انتظار در TCP است.)



- (۱) ارسال سگمنت بعدی با $seq = 40$
- (۲) ارسال مجدد سگمنت ۸ بایتی با $seq = 22$
- (۳) ارسال مجدد سگمنت ۱۰ بایتی با $seq = 30$
- (۴) ارسال مجدد سگمنت جمع شده ۱۸ بایتی با $seq = 22$

۱۱۱- شبه کد زیر عملکرد یک سوئیچ اترنت (Ethernet) را نشان می‌دهد. جای A و B با چه رفتاری تکمیل می‌شود؟

When frame received at switch:

1. record incoming link, MAC Address of sending host
2. index switch table using MAC destination Address
3. if entry found for destination then

```

    if destination on segment from which frame arrived then
        A?
    else
        Forward frame on interface indicated by entry
    else
        B?
    
```

- (۱) A: دور ریختن فریم و B: ارسال فریم به مبدأ
- (۲) A: دور ریختن فریم و B: ارسال سیل آسا روی همه واسط‌ها
- (۳) A: ارسال سیل آسا روی همه واسط‌ها و B: دور ریختن فریم
- (۴) A: تازه کردن جدول بر مبنای آدرس مقصد و B: دور ریختن فریم

۱۱۲- کدام گزینه در مورد پروتکل مسیریابی BGP به‌عنوان یک پروتکل مسیریابی بین دامنه‌ای صحیح نیست؟

- (۱) مسیرهای انتخاب شده بدون حلقه خواهد بود.
- (۲) خود مختار بودن AS‌ها در BGP لحاظ می‌شود.
- (۳) از کوتاه‌ترین مسیر برای ارسال بسته‌ها استفاده می‌شود.
- (۴) سیاست‌گذاری AS نقش تعیین‌کننده در مسیرهای انتخابی دارد.

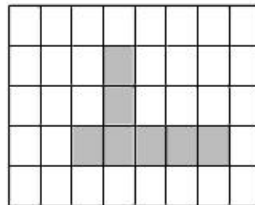
۱۱۷- کدام عبارت در مورد پروتکل‌های مسیریابی OSPF و RIP در یک شبکه با n گره و E لینک درست است؟

- (۱) پروتکل RIP پس از گذشت $O(n^2)$ گام پیام‌رسانی همگرا می‌شود، اما پروتکل OSPF اگر در شبکه دور وجود داشته باشد دچار نوسان می‌شود.
- (۲) اگر یک گره در هر کدام از این پروتکل‌ها شروع به اعلام اطلاعات اشتباه کند، باعث پیدایش مسیر خطا در تمام شبکه می‌شود.
- (۳) تعداد پیام‌های پروتکل OSPF به اندازه $O(nE)$ است، ولی این تعداد در پروتکل RIP مشخص نیست.
- (۴) پروتکل OSPF بر روی پروتکل IP و پروتکل RIP بر روی پروتکل TCP پیاده‌سازی می‌شوند.

۱۱۸- کدام گزینه در مورد سوییچینگ بسته‌ای در مقابل سوییچینگ مداری درست است؟

- (۱) آن را نمی‌توان برای سرویس‌های تلفن به کار برد.
 - (۲) از نظر کیفیت سرویس دارای رفتار قابل پیش‌بینی‌تری است.
 - (۳) به علت دست‌تکانی سه‌طرفه نیازمند زمان بیشتری برای برقراری اتصال می‌باشد.
 - (۴) از فضای مابین نرخ ترافیک میانگین و نرخ ترافیک قله استفاده می‌کند.
- ۱۱۹- فرض کنید دو ربات در دو نقطه A و B از نقشه‌ای مستطیلی (مانند نمونه زیر) قرار دارند و در هر دور هر کدام از این ربات‌ها می‌تواند به یکی از خانه‌های بالا، پایین، چپ و راست در صورتی که مسدود نباشد، بروند و همچنین ربات‌ها هم‌زمان با همدیگر می‌توانند حرکت کنند. می‌خواهیم بهترین راه‌حل را پیدا کنیم که در آن دو ربات در کمترین زمان به یک خانه یکسان برسند. (در صورت مسئله محدود نشده که کدام خانه باشد) کدام یک از موارد زیر یک تابع ابتکاری admissible برای حل این مسئله است؟

فرض کنید $d_M(U, V)$ فاصله منتهن دو نقطه U و V را در محیط نشان می‌دهد. همچنین G کل مجموعه نقاط غیر مسدود نقشه را مشخص می‌کند.



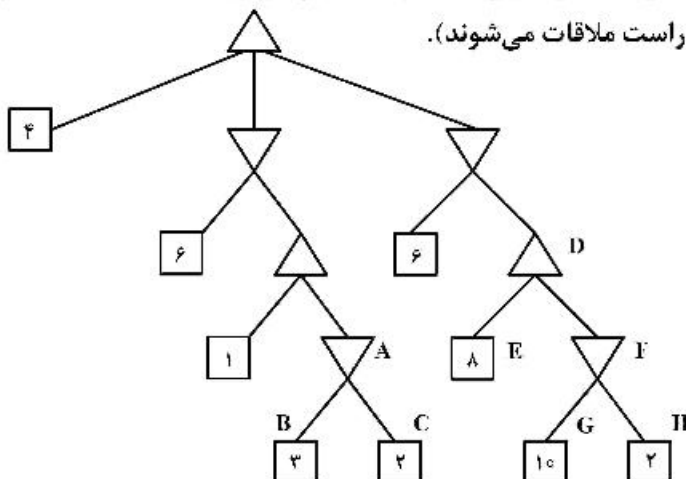
$$\min_{C \in G} \max(d_M(A, C), d_M(B, C)) \quad (۲)$$

$$\max_{C \in G} (d_M(A, C) + d_M(B, C)) / 2 \quad (۱)$$

$$\min_{C \in G} (d_M(A, C) + d_M(B, C)) \quad (۴)$$

$$\max_{C \in G} \min(d_M(A, C), d_M(B, C)) \quad (۳)$$

۱۲۰- در درخت Minimax زیر کدام گزینه مجموعه کامل گره‌های هرس شده توسط روش هرس آلفا - بتا را نشان می‌دهد؟ (با فرض اینکه فرزندان رئوس از چپ به راست ملاقات می‌شوند).



- (۱) {A, B, C}
- (۲) {F, G, H}
- (۳) {C, F, G, H}
- (۴) {A, B, C, F, G, H}

۱۲۱- در خصوص مسائل CSP کدام گزینه درست است؟

- ۱) هر مسئله CSP که path-consistency در آن برقرار باشد، arc-consistency هم در آن برقرار است.
- ۲) در مسئله CSP با n متغیر که هر کدام دامنه‌ای با حداکثر d عضو دارند، پیچیدگی زمانی در بدترین حالت $O(n^d)$ است.
- ۳) اگر گراف محدودیت یک مسئله CSP با محدودیت‌های دودویی (binary) به صورت درخت با n رأس باشد، پیچیدگی محاسباتی حل‌کننده کارا (efficient solver) بر حسب n چندجمله‌ای مرتبه ۲ است.
- ۴) در حالت کلی اگر گراف محدودیت مسئله CSP با محدودیت‌های دودویی (binary) به شکل یک گراف کامل با n رأس باشد، برای تشکیل درخت از روی این گراف لازم است تعداد اعضای $cutset$ (مجموعه رأس‌هایی که با مقداره‌ی شدن از گراف محدودیت حذف می‌شوند) حداقل $n - ۲$ باشد.

۱۲۲- اگر h_1 و h_2 توابعی سازگار (consistent) باشند، کدام عبارت نادرست است؟

۱) $\alpha h_1 + (1 - \alpha)h_2$ در حالتی که $0 \leq \alpha \leq 1$ سازگار است.

۲) $\frac{\min(h_1, h_2) + \max(h_1, h_2)}{2}$ سازگار است.

۳) $\max(h_1, h_2)$ سازگار است.

۴) αh_1 سازگار است.

۱۲۳- پایگاه دانش منطق مرتبه اول KB را به صورت زیر در نظر بگیرید. در این خصوص کدام مورد نادرست است؟

$$\forall x [(\neg P(x) \wedge Q(x, C)) \Rightarrow R(x)]$$

$$\forall x [S(x, D) \Rightarrow Q(x, C)]$$

$$\forall x [R(x) \Rightarrow T(x)]$$

$$S(A, D) \wedge \neg P(A)$$

۱) $KB \models T(A)$

۲) $KB \models \exists x [Q(x, C)]$

۳) همه عبارات این پایگاه دانش horn clause هستند.

۴) برای این پایگاه دانش، روش رزولوشن می‌تواند درخواست «پیدا کن x به طوری که $T(x)$ درست باشد» را انجام دهد.

۱۲۴- در خصوص روش‌های جستجوی محلی (local search) کدام جمله درست است؟

- ۱) در روش local beam search ممکن نیست همه اعضای جمعیت در یک زمان t' (از نظر تابع هدف) بدتر از همه اعضای جمعیت در یکی از زمان‌های قبلی $t < t'$ باشند.
- ۲) در روش local beam search چنانچه کنش‌ها برگشت‌پذیر باشند، اعضای جمعیت در طول زمان بهبود پیدا می‌کنند (یا حداقل تنزل پیدا نمی‌کنند).
- ۳) با نقطه شروع برابر ممکن نیست hill-climbing به نتیجه بهتری نسبت به (simulated Annealing) برسد.
- ۴) در الگوریتم hill-climbing ممکن است در انتها به نقطه‌ای بدتر از نقطه شروع برسیم.

۱۲۵- در مورد دو گزاره منطقی زیر کدام گزینه صحیح است؟

(الف) $(A \text{ AND } (\sim A)) \Rightarrow B$

(ب) $(A \text{ OR } (\sim A)) \Rightarrow (A \text{ AND } (\sim A))$

۱) گزاره (الف) Valid و گزاره (ب) Unsatisfiable است.

۲) گزاره (الف) Valid و گزاره (ب) Satisfiable است.

۳) گزاره (الف) Satisfiable و گزاره (ب) Valid است.

۴) هر دو گزاره (الف) و (ب) Satisfiable هستند.

۱۲۶- اعمال الگوریتم رزولوشن (Resolution) روی کدام مورد منجر به پیدایش عبارت (Clause) تهی می‌شود؟

۱) $(A \Rightarrow B) \wedge (B \Rightarrow C) \wedge (C \Rightarrow A)$

۲) $A \wedge \sim B \wedge \sim C \wedge (A \Rightarrow B \vee C)$

۳) $(A \vee B) \wedge (\sim B \vee C) \wedge (\sim C)$

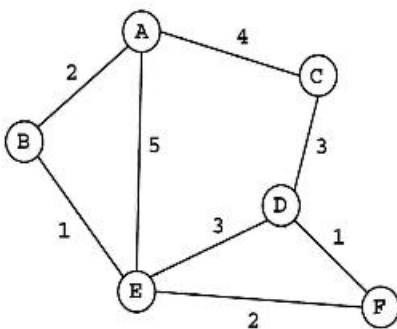
۴) $(A \vee B) \wedge (\sim A \vee \sim B)$

۱۲۷- در گراف زیر، گره A وضعیت شروع و گره F وضعیت هدف است. اگر تعداد یال‌های باقی‌مانده تا هدف را به‌عنوان

مقدار تابع اکتشافی (h^*) هر گره در نظر بگیریم، در کدام‌یک از دو روش جستجوی Uniform Cost Search و

A^* ، گره C ملاقات (Visit) خواهد شد؟

(هزینه عبور از هر یال کنار آن نوشته شده است. فرض کنید که هر گره حداکثر یک مرتبه ملاقات می‌شود.)



۱) فقط در روش USC

۲) فقط در روش A^*

۳) در هر دو روش

۴) در هیچ‌کدام از دو روش

۱۲۸- کدام‌یک از سه زوج عبارت زیر قابل یکسان‌سازی (Unification) هستند؟

(حروف کوچک متغیر و حروف بزرگ ثابت هستند.)

۱) $P(F(y), y, x)$ and $P(x, F(A), F(v))$

۲) $Q(G(w), H(w, I(x, u)))$ and $Q(G(v), H(u, v))$

۳) $R(x, J(u, x))$ and $R(J(y, A), J(z, J(B, z)))$

۲) فقط زوج‌های اول و سوم

۱) فقط زوج‌های اول و دوم

۴) هر سه زوج

۳) فقط زوج‌های دوم و سوم

۱۲۹- در منطق گزاره‌ای، کدام مورد در خصوص نتیجه انجام عمل ترکیب (Resolution) بر روی کلازهای معین

(Definite Clauses) و کلازهای هورن (Horn Clauses) درست نیست؟ فرض کنید که دو کلاز ترکیب شده

دقیقاً یک لفظ (Literal) متناقض دارند و حداکثر یکی از آن‌ها کلاز واحد (Unit clause) است.

۱) نتیجه ترکیب یک کلاز معین با یک کلاز هورن، حتماً یک کلاز معین است.

۲) نتیجه ترکیب یک کلاز هورن با یک کلاز معین، حتماً یک کلاز هورن است.

۳) نتیجه ترکیب دو کلاز هورن، حتماً یک کلاز هورن است.

۴) نتیجه ترکیب دو کلاز معین، حتماً یک کلاز معین است.

۱۳۰- اگر بدانیم $P(\text{Test}|\text{Disease}) = 0.9$ ، $P(\neg\text{Test}|\neg\text{Disease}) = 0.9$ و $P(\text{Disease}) = 0.001$ است، کدام گزینه مقدار تقریبی $P(\text{Disease}|\text{Test})$ را نشان می‌دهد؟

(۱) ۰/۰۰۴

(۲) ۰/۰۴

(۳) ۰/۸

(۴) ۰/۰۸

۱۳۱- کدام گزینه گرامر توصیف‌کننده آرایه‌های یک‌بعدی از نوع اعداد صحیح (**int**) است، که امکان تعریف آرایه با طول مشخص و یا آرایه بدون طول با امکان انتساب مقادیر اولیه را همانند مثال زیر فراهم می‌نماید؟ (دقت نمایید در صورتی که یک آرایه بدون طول (همانند متغیر C در مثال زیر) تعریف شود این متغیر باید آخرین متغیر بوده و انتساب مقادیر اولیه به آن اجباری است.)

$\text{int } A[10], B[20], C[] = \{4, 15, 33, 70\}$

$$\begin{aligned} AR &\rightarrow \text{int id[num]}AR' \mid \text{int id}[\]L \\ AR' &\rightarrow ,\text{id[num]}AR' \mid ,\text{id}[\]L \mid \lambda \\ L &\rightarrow \{NL\} \mid \lambda \\ NL &\rightarrow \text{num } NL' \\ NL' &\rightarrow ,\text{num } NL' \mid \lambda \end{aligned} \quad (۱)$$

$$\begin{aligned} AR &\rightarrow \text{int id[num]}AR' \mid \text{int id}[\] = \{NL\} \\ AR' &\rightarrow ,\text{id}[\] = \{NL\} \mid \lambda \\ NL &\rightarrow \text{num } NL' \\ NL' &\rightarrow ,\text{num } NL' \mid \lambda \end{aligned} \quad (۲)$$

$$\begin{aligned} AR &\rightarrow \text{int id[num]}AR' \mid \text{int id}[\] = \{NL\} \\ AR' &\rightarrow ,\text{id[num]}AR' \mid ,\text{id}[\] = \{NL\} \mid \lambda \\ NL &\rightarrow \text{num } NL' \\ NL' &\rightarrow ,\text{num } NL' \mid \lambda \end{aligned} \quad (۳)$$

$$\begin{aligned} AR &\rightarrow \text{int id[num]}AR' \\ AR' &\rightarrow ,\text{id[num]}AR' \mid ,\text{id}[\] = \{NL\} \mid \lambda \\ NL &\rightarrow \text{num } NL' \\ NL' &\rightarrow ,\text{num } NL' \mid \lambda \end{aligned} \quad (۴)$$

۱۳۲- یک نمونه از ساختار **structure** در زبان C به شرح زیر مفروض است. در این مثال تعداد توکن‌های متمایز تشخیص داده شده توسط تحلیل گر لغوی (اسکنر) کدام است؟

```
struct node {
    int x;
    char c;
    struct node* next;
}
```

۸ (۱)

۱۰ (۲)

۱۳ (۳)

۱۵ (۴)

۱۳۳- گرامر عبارات ریاضی زیر را در نظر بگیرید. کدام گزینه نا درست است؟

$E \rightarrow E + E$

$E \rightarrow E * E$

$E \rightarrow (E)$

$E \rightarrow id$

(۱) هیچ پارسر پایین به بالایی که قادر به رفع تصادم (conflict) باشد برای این گرامر وجود ندارد.

(۲) در جدول پارس مربوط به پارسر $LL(1)$ تصادم (conflict) وجود دارد.

(۳) گرامر معادلی که دارای ابهام نباشد موجود است.

(۴) این گرامر مبهم است.

۱۳۴- آرایه سه بعدی A به شرح زیر مفروض است.

$A : \text{array}[1..10, -1..8, -4..5] \text{ of integer}$

فرض کنید، آدرس شروع واقعی آرایه $\alpha_A = 1000$ و اندازه هر متغیر از نوع **integer** برابر با ۱ باشد.

کدام گزینه در مورد این آرایه نا درست است؟

(۱) آدرس $A[4, 8, 5]$ برابر با ۱۳۹۹ است.

(۲) آدرس شروع مجازی آرایه $(\alpha'_A)A$ ، برابر با ۹۱۶ است.

(۳) کد میانی تولیدشده توسط کامپایلرهای متداول (بدون کد خطیابی) برای محاسبه آدرس $\Lambda[I, J, K]$ ، شش دستورالعمل دارد.

(۴) خطای اندیس خارج از محدوده در دستور $B := A[I_1, I_2, I_3]$ ، وقتی در لحظه اجرای آن مقادیر اندیس‌ها $[3, 9, 5]$ باشد، در زمان اجرا و توسط کدی که توسط کامپایلر تولیدشده، کشف می‌شود.

۱۳۵- گرامر G با مجموعه قواعد تولید زیر، برای توصیف ساختار **if-then-else** در یک زبان برنامه‌سازی مورد استفاده قرار گرفته است. در این گرامر st نشان‌دهنده دستورهای است که با واژه‌ای غیر از **if** شروع می‌شوند (مانند **for**، **case** و غیره). یک **bid** نیز یک شناسه منطقی است که مقدار **true** یا **false** را به خود می‌گیرد.

$ST \rightarrow_1 \text{if BE then ST}$

$ST \rightarrow_2 \text{if BE then ST else ST}$

$ST \rightarrow_3 st$

$BE \rightarrow_4 bid$

در نمودار حالت (۱) $LALR(1)$ مربوط به این گرامر، در یکی از حالت‌ها (حالت i در جدول زیر)، تداخل انتقال (به حالت $i+1$) با کاهش (برای قاعده تولید اول) رخ می‌دهد. در این خصوص کدام گزینه صحیح است؟ (دقت شود که طبق قاعده رفع ابهام در زبان‌های برنامه‌سازی همواره **else** باید به نزدیک‌ترین **if** برگردد).

	if	then	else	st	bid	\$	ST	BE
⋮								
i			R_1/S_{i+1}			R_1		
i+1	S_j			S_k			G_{i+2}	
i+2			R_2			R_2		

(۱) این گرامر $LALR(1)$ نبوده و نمی‌توان با انجام اصلاح در جدول پارس نیز تداخل را برطرف نمود.
 (۲) جدول پارس باید اصلاح شود، برای این منظور باید دستور کاهش R_1 از سطر i و ستون **else** حذف شود.
 (۳) جدول پارس باید اصلاح شود، برای این منظور باید دستور انتقال (S_{i-1}) از سطر i و ستون **else** حذف شود.
 (۴) نیازی به اعمال تغییر در جدول پارس وجود نداشته و پارسر می‌تواند از این جدول بدون اشکال استفاده کند.

۱۳۶- جدول پارس (۱) $LL(1)$ به شرح زیر برای گرامر $G = (S, T, V, P)$ رسم شده است. در این گرامر مجموعه $V = \{A, B, C, D, E\}$ و مجموعه واژه‌های زبان و مجموعه واژه‌های نحوی $T = \{a, b, c, d, e\}$ است.

	a	b	c	d	e	S
V_1	$\rightarrow AE$				$\rightarrow AE$	
V_2		$\rightarrow bB$		$\rightarrow \lambda$		$\rightarrow \lambda$
V_3	$\rightarrow DC$				$\rightarrow cC$	
V_4	$\rightarrow aBd$					
V_5		$\rightarrow \lambda$	$\rightarrow cA$	$\rightarrow \lambda$		$\rightarrow \lambda$

مجموعه قواعد تولید P به صورت زیر تعریف شده است.

$V_1 \rightarrow AE, V_2 \rightarrow bB \mid \lambda, V_3 \rightarrow DC \mid cC, V_4 \rightarrow aBd, V_5 \rightarrow cA \mid \lambda$

اگر اطلاعات زیر در اختیار قرار گیرد، کدام گزینه نگاهت درست پنج‌تایی مرتب $(V_1, V_2, V_3, V_4, V_5)$ به مجموعه V را نشان داده است؟

۱) $b \in \text{Follow}(C)$, ۲) $A \not\Rightarrow^* \lambda$, ۳) $D \not\Rightarrow^* \lambda$, ۴) $\text{First}(A) \subseteq \text{First}(B)$

(D, C, A, B, E) ۲

(D, E, A, B, C) ۱

(B, C, A, D, E) ۴

(B, E, A, D, C) ۳

۱۴۲- با توجه به جدول ارائه شده، کدام عبارت جبری درست است؟

STUD(s# , sname , City , avg , clg#)

(شماره دانشکده، معدل، محل تولد، نام، شماره دانشجویی) جدول دانشجو

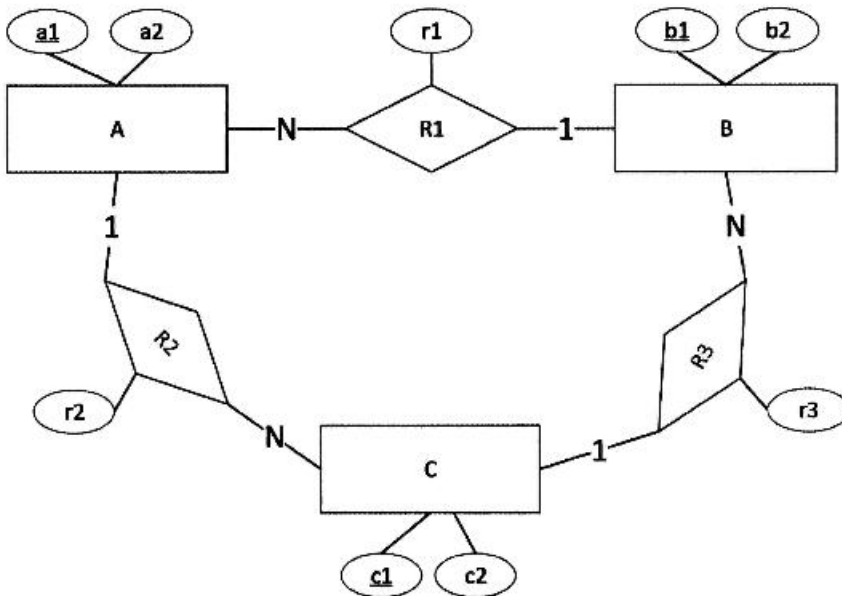
$$\Pi_{\text{city}} \left(\delta_{\text{avg} > 16} (\text{STUD}) \right) = \delta_{\text{avg} > 16} \left(\Pi_{\text{city}} (\text{STUD}) \right) \quad (1)$$

$$\delta_{\text{city}} \left(\pi_{\text{avg} > 16} (\text{STUD}) \right) = \Pi_{\text{avg} > 16} \left(\delta_{\text{city}} (\text{STUD}) \right) \quad (2)$$

$$\Pi_{\text{city}} \left(\delta_{\text{avg} > 16} (\text{STUD}) \right) \quad (3)$$

$$\delta_{\text{avg} > 16} \left(\Pi_{\text{city}} (\text{STUD}) \right) \quad (4)$$

۱۴۳- مدل رابطه ای متناظر با نمودار ER زیر کدام است؟



$$A(\underline{a1}, a2, \underline{b1}, r1) B(\underline{b1}, b2, \underline{c1}, r3) C(\underline{c1}, c2, a1, r2) \quad (1)$$

$$A(\underline{a1}, a2, \underline{b1}, \underline{r1}) B(\underline{b1}, b2, \underline{c1}, \underline{r3}) C(\underline{c1}, c2, a1, \underline{r2}) \quad (2)$$

$$A(a1, a2) B(\underline{b1}, b2, a1, r1) C(\underline{c1}, c2, b1, r3) R1(a1, \underline{b1}, r1) R3(b1, \underline{c1}, r3) \quad (3)$$

$$A(\underline{a1}, a2) B(\underline{b1}, b2) C(\underline{c1}, c2) R1(\underline{a1}, \underline{b1}, r1) R2(\underline{a1}, \underline{c1}, r2) R3(\underline{b1}, \underline{c1}, r3) \quad (4)$$

۱۴۴- با در نظر گرفتن رابطه $R(A, B, C, D, E)$ و مجموعه وابستگی‌های تابعی $F = \{AB \rightarrow C, CD \rightarrow E\}$ این

رابطه چند ابرکلید دارد؟

۱ (۱)

۳ (۲)

۴ (۳)

۷ (۴)

۱۴۵- رابطه $R(A, B, C, D, E, F)$ را در نظر بگیرید. فرض کنیم \underline{A} و (B, C) دو کلید کاندید این رابطه و تنها کلیدهای کاندید باشند. این رابطه چند ابرکلید دارد؟

- (۱) ۸
- (۲) ۲۴
- (۳) ۲۲
- (۴) ۴۰

۱۴۶- کار عملگر $P_{second}(Marks)$ این است که یک کپی از رابطه $Marks$ با نام مستعار $Second$ ایجاد کند. کار دستور زیر در جبر رابطه‌ای، کدام است؟

$$\Pi_{mark}(Marks) - \Pi_{marks.mark}(Marks \times P_{second}(Marks))$$

$$Marks.Mark > Second.Mark$$

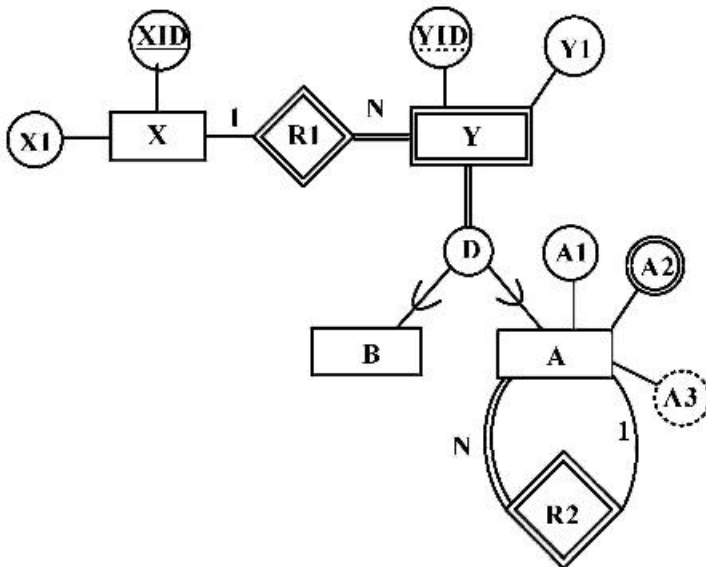
(۱) یک لیست تهی برمی‌گرداند.

(۲) نمره مینیمم را از لیست نمرات استخراج می‌کند.

(۳) نمره ماکزیمم را از لیست نمرات استخراج می‌کند.

(۴) نمره‌هایی که در جدول $Marks$ موجود نیستند را نشان می‌دهد.

۱۴۷- در نمودار EER زیر، طراحی منطقی رابطه یا رابطه‌های مربوط به موجودیت A ، کدام مورد خواهد بود؟ (در گزینه‌های داده شده، زیر خط ممتد به معنای کلید اصلی و خط چین به معنای کلید خارجی است.)



(۱) $A(\underline{YID}, \underline{YIDR2}, A1, A2, A3)$

(۲) $A(\underline{YID}, \underline{YIDR2}, A1, A2)$

(۳) $\underline{A}A2(\underline{YID}, A2) \quad \underline{A}(\underline{YID}, Y1, YIDR2, A1)$

(۴) $\underline{A}A2(\underline{XID}, \underline{YID}, A2) \quad \underline{A}(\underline{XID}, YID, Y1, \underline{XIDR}, \underline{YIDR2}, A1)$

۱۴۸- چه تعداد از گزاره‌های زیر درست است؟

- گزاره اول: تعداد کلیدهای کاندید یک رابطه از تعداد سوپرکلیدهای آن رابطه همواره کمتر است.
 گزاره دوم: کلید خارجی یک رابطه، می‌تواند جزئی از کلید اصلی آن باشد.
 گزاره سوم: استفاده از View می‌تواند استقلال داده‌ای را افزایش دهد.
 گزاره چهارم: مدیریت تراکنش‌های همروند به عهده DBMS است.

- (۱) یک گزاره
- (۲) دو گزاره
- (۳) سه گزاره
- (۴) چهار گزاره

۱۴۹- با توجه به پایگاه داده زیر در مورد پرس‌وجوهای SQL زیر کدام مورد درست است؟

جدول گره‌ها	Node (NID, Name, Color, Description) اطلاعات موجود در جدول گره‌ها شامل شماره، نام، رنگ و شرح مربوط به هر گره است.
جدول یال‌ها	Edge (NID1, NID2, EdgeType) هر سطر از جدول Edge، نشان دهنده وجود یک یال جهت‌دار از نوع EdgeType از گره با شماره NID1 به گره با شماره NID2 است.

پرس‌وجو اول	<pre>select distinct NID from node, edge where NID = edge.NID2 and not exists (select * from edge where edge.NID1 = NID)</pre>
پرس‌وجو دوم	<pre>select T1.NID from (select count(NID1) as cnt, NID from node left outer join edge on edge.NID1 = NID group by NID) T1, (select count(NID2) as cnt, NID from node left outer join edge on edge.NID2 = NID group by NID) T2 where T1.NID = T2.NID and T1.cnt < T2.cnt</pre>

- (۱) پرس‌وجو اول، شماره گره‌هایی را می‌دهد که یال خروجی دارند اما یال ورودی ندارند.
- (۲) پرس‌وجو دوم، شماره گره‌هایی را می‌دهد که درجه خروجی آن‌ها کمتر از درجه ورودی آن‌ها است.
- (۳) پرس‌وجو دوم، شماره گره‌هایی را می‌دهد که درجه ورودی آن‌ها کمتر از درجه خروجی آن‌ها است.
- (۴) گزینه‌های ۱ و ۲ صحیح هستند.

۱۵۰- با توجه به پایگاه داده زیر، پرس و جوی «نام اعضای که همه کتاب‌های انتشارات Springer را امانت گرفته‌اند» را در نظر بگیرید. چند مورد از دستورهای SQL (الف، ب و ج) برای این پرس و جو درست است؟

کتاب‌ها	Book (ISBN, Title, Author, Publisher)
اعضاء	Member (MID, Name, MDate)
امانت کتاب	Borrow (MID, ISBN, BDate, Duration)

(الف)

```
select Name
from (select Member.MID, Member.Name, count(Book.ISBN) as BorrowCount from Member,
Borrow, Book where Member.MID=Borrow.MID and
Book.ISBN = Borrow.ISBN and Publisher='Springer'
group by Member.MID, Member.Name) as M
where BorrowCount = (select count(*) from Book where Publisher='Springer')
```

(ب)

```
select Name
from Member
where not exists ((select ISBN from Book where Publisher='Springer') except
(select ISBN from Borrow where Borrow.MID = Member.MID))
```

(ج)

```
select Name
from Member
where not exists (select 1 from Book where Publisher='Springer' and not exists
(select ISBN from Borrow where Borrow.MID = Member.MID and
Borrow.ISBN = Book.ISBN))
```

(۴) سه

(۳) دو

(۲) یک

(۱) صفر

