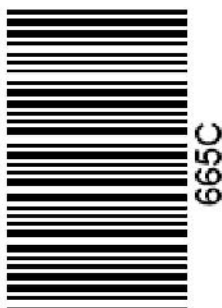


کد کنترل

665

C



## آزمون ورودی دوره‌های کارشناسی ارشد ناپیوسته داخل - سال ۱۴۰۱

صبح جمعه  
۱۴۰۱/۰۲/۳۰



جمهوری اسلامی ایران  
وزارت علوم، تحقیقات و فناوری  
سازمان سنجش آموزش کشور

«اگر دانشگاه اصلاح شود مملکت اصلاح می‌شود.»  
امام خمینی (ره)

### مهندسی عمران (کد ۱۲۶۴)

زمان پاسخ‌گویی: ۲۵۰ دقیقه

تعداد سؤال: ۱۳۵

جدول مواد امتحانی، تعداد و شماره سؤال‌ها

ردیف	مواد امتحانی	تعداد سؤال	از شماره	تا شماره
۱	زبان عمومی و تخصصی (انگلیسی)	۳۰	۱	۳۰
۲	ریاضیات	۱۵	۳۱	۴۵
۳	مکانیک جامدات (مقاومت مصالح، تحلیل سازه‌ها ۱)	۲۰	۴۶	۶۵
۴	مکانیک خاک و پی‌سازی	۲۰	۶۶	۸۵
۵	مکانیک سیالات و هیدرولیک	۲۰	۸۶	۱۰۵
۶	طراحی (سازه‌های فولادی (۲و۱)، سازه‌های بتنی (۲و۱)، راه‌سازی و روسازی راه)	۳۰	۱۰۶	۱۳۵

این آزمون نمره منفی دارد.

استفاده از ماشین حساب مجاز نیست.

\* متقاضی گرامی، وارد نکردن مشخصات و امضا در کادر زیر، به منزله غیبت و حضور نداشتن در جلسه آزمون است.

اینجانب ..... با شماره داوطلبی ..... با آگاهی کامل، یکسان بودن شماره سندلی خود را با شماره داوطلبی مندرج در بالای کارت ورود به جلسه، بالای پاسخنامه و دفترچه سؤالها، نوع و کد کنترل درج شده بر روی دفترچه سؤالها و پایین پاسخنامه را تأیید می‌نمایم.

امضا:

زبان عمومی و تخصصی (انگلیسی):

### **PART A: Vocabulary**

**Directions:** Choose the word or phrase (1), (2), (3), or (4) that best completes each sentence. Then mark the answer on your answer sheet.

- 1- Please leave ----- directions for the housekeeper, so she knows what needs to be done.  
1) restless                      2) explicit                      3) authentic                      4) cursory
- 2- The islands ----- their name from the sacred images found on them by the early European navigators.  
1) illustrate                      2) grasp                      3) derive                      4) infer
- 3- People love the Presidio because it is in close ----- to many area attractions, including the famous aquarium, the SFB Morse Botanical Reserve and the Spanish Bay Resort Golf Course.  
1) proximity                      2) observation                      3) relevance                      4) accord
- 4- This system, which for many years subsequently was regarded as authoritative, has been subjected to ----- criticism by later economists, and it is perhaps not too much to say that it now possesses mainly a historical interest.  
1) feeble                      2) shaky                      3) transient                      4) vigorous
- 5- Although Norman could ----- his sister's story about her innocence to absolve her, he refused to do so because he was angry at her.  
1) testify                      2) retain                      3) corroborate                      4) fulfill
- 6- When he came in to tea, silent, -----, and with tear-stained face, everybody pretended not to notice anything.  
1) showy                      2) morose                      3) facetious                      4) mercurial
- 7- Since color is absorbed as it travels through water, the deeper you are, the more likely you will notice a ----- in the clarity of reds, oranges and yellows.  
1) deception                      2) competition                      3) intensification                      4) reduction
- 8- As the students argued, the teacher tried to ----- them into silence with the threat of a detention.  
1) condemn                      2) coerce                      3) impose                      4) condense
- 9- Teachers who consider cartoons and comic books ----- to students' literacy skills often use class time to deride these media.  
1) harmful                      2) indispensable                      3) pertinent                      4) conducive
- 10- Salt is valued not only because of its ----- as a condiment and preservative, but also because they are essential to the health of humans and animals.  
1) properties                      2) temptations                      3) variances                      4) predictors

**PART B: Cloze Test**

**Directions:** Read the following passage and decide which choice (1), (2), (3), or (4) best fits each space. Then mark the correct choice on your answer sheet.

Being funny has no place in the workplace and can easily wreak havoc (11) ----- an otherwise blossoming career. Of course, laughter is necessary in life. But if you crack jokes (12) ----- snide remarks at work, you will eventually not be taken (13) ----- . You will be seen as someone who wastes time (14) ----- could better be spent discussing a project or an issue. Additionally, many corporate-minded individuals do not have the time to analyze comments with hidden meanings-they will take what you say (15) ----- and as an accurate representation of your professionalism in the workplace.

- |     |                           |                     |                              |                |
|-----|---------------------------|---------------------|------------------------------|----------------|
| 11- | 1) in                     | 2) for              | 3) on                        | 4) at          |
| 12- | 1) to be made             | 2) then make        | 3) which they make           | 4) and make    |
| 13- | 1) serious by others      |                     | 2) seriously by others       |                |
|     | 3) by some others serious |                     | 4) being seriously by others |                |
| 14- | 1) when                   | 2) that it          | 3) and                       | 4) that        |
| 15- | 1) as absolute            | 2) that is absolute | 3) is absolute               | 4) be absolute |

**PART C: Reading Comprehension**

**Directions:** Read the following three passages and answer the questions by choosing the best choice (1), (2), (3), or (4). Then mark the correct choice on your answer sheet.

**PASSAGE 1:**

Concrete is a composite with properties that change with time. During service, the quality of concrete provided by initial curing can be improved by subsequent wetting as in the cases of foundations or water retaining structures. However, concrete can also deteriorate with time due to physical and chemical attacks. Structures are often removed when they become unsafe or uneconomical.

Lack of durability has become a major concern in construction for the past 20 to 30 years. In some developed countries, it is not uncommon to find large amount of resources, such as 30 to 50% of total infrastructure budget, applied to repair and maintenance of existing structures. As a result, many government and private developers are looking into lifecycle costs rather than first cost of construction.

Durability of concrete depends on many factors including its physical and chemical properties, the service environment and design life. As such, durability is not a fundamental property. One concrete that performs satisfactory in a severe environment may deteriorate prematurely in another situation where it is consider as moderate. This is mainly due to the differences in the failure mechanism from various exposure conditions. Physical properties of concrete are often discussed in term of permeation, the movement of aggressive agents into and out of concrete. Chemical properties refer to the quantity and type of hydration products, mainly calcium silicate hydrate,

calcium aluminate hydrate, and calcium hydroxide of the set cement. Reactions of penetrating agents with these hydrates produce products that can be inert, highly soluble, or expansive. It is the nature of these reaction products that control the severity of chemical attack. Physical damage to concrete can occur due to expansion or contraction under

restraint (e.g., drying shrinkage cracking, frost action, cyclic wetting and drying), or resulting from exposure to abrasion, erosion or fire during service. It is generally considered that the surface layer or cover zone plays an important role in durability as it acts as the first line of defense against physical and chemical attacks from the environment.

Although durability is a complex topic, some of the basic fundamentals are well understood and have been documented. Many premature failures in recent years are due mainly to ignorance in design, poor specification or bad workmanship.

- 16- This passage is mainly concerned with -----.
- |                            |                           |
|----------------------------|---------------------------|
| 1) concrete reactions      | 2) properties of concrete |
| 3) concrete as a composite | 4) longevity of concrete  |
- 17- According to the passage, -----.
- 1) saturating concrete with water makes its quality better
  - 2) concrete structures are not economical due to their short life-cycle
  - 3) the concrete failure mechanism is high when compared to other materials
  - 4) penetrating agents along with hydration makes concrete stronger
- 18- Which one is NOT considered as a physical damage to concrete?
- |                          |                        |
|--------------------------|------------------------|
| 1) exposure to corrosion | 2) thermal degradation |
| 3) aggregate expansion   | 4) hydration reactions |
- 19- The word "inert" in paragraph 3 can be substituted by -----.
- |             |           |          |            |
|-------------|-----------|----------|------------|
| 1) spacious | 2) actual | 3) solid | 4) natural |
|-------------|-----------|----------|------------|
- 20- Concrete stability, it's stated in the passage, -----.
- 1) is the major concern for its applications
  - 2) varies in diverse conditions
  - 3) is a complex subject with many unsolved issues
  - 4) remains constant in different environments

### PASSAGE 2:

If the building earthquake resistance is to come from moment resisting frames, then special care should be taken with the foundation-to-first floor level. If the requirement is to have a taller clear height, and to have open holes in the walls, then the columns at this level may have to be much stronger than at higher levels; and the beams at the first floor, and the columns from ground to second floor, have to be able to resist the turning loads these columns deliver to the frame.

Alternatively, and preferably, the columns can be given continuity at the feet. This can be done with 'fixed feet' with many bolts into large foundations, or by having a grillage of steel beams at the foundation level able to resist the column moments. Such steel grillage can also keep the foundations in place.

If the beams in the frame can bend and yield a little at their highest stressed points, without losing resistance, while the joints and the columns remain full strength, then a

curious thing happens: the resonant frequency of the whole frame changes. If the building was vibrating in time with shock waves, this vibration will tend to be damped out.

This phenomenon is known as 'plastic hinging' and is easily demonstrated in steel beams, though a similar thing can happen with reinforced concrete beams as long as spalling is avoided.

All floors have to be connected to the framing in a robust and resilient way. They should never be able to shake loose and fall. Again all floors should be as light as possible. They should go all round each column and fix to every supporting beam or wall, in a way that cannot be shaken off.

One way of reducing the vulnerability of big buildings is to isolate them from the floor using bearings or dampers, but this is a difficult and expensive process not suitable for low and medium rise buildings and low cost buildings.

- 21- **It's referred in the passage, the higher the building, -----.**  
 1) the more resistant grillage of steel beams in floor level  
 2) the stronger its foundation  
 3) the more columns in its foundation  
 4) the larger foundation with fixed feet
- 22- **It's stated in the passage that plastic hinging -----.**  
 1) leads to spalling in reinforced concrete beams  
 2) refers to resistance mitigation of a bending beam at the highest stressed points  
 3) is a building vibrations damping phenomenon  
 4) makes the resonant frequency of the whole frame aggravate
- 23- **The word "robust" in paragraph 5 means -----.**  
 1) possible                      2) various                      3) delicate                      4) powerful
- 24- **The writer of this passage puts emphasis on -----.**  
 1) making earthquake safe structures  
 2) the role of columns and beams in structures  
 3) delivering vibrations to the frames  
 4) reducing vulnerability of buildings
- 25- **All of the following are true about isolating building EXCEPT -----.**  
 1) it prevents vibration from entering structure at the point of impact  
 2) it can be possible by utilizing bearings or dampers  
 3) it is more appropriate in buildings having lighter weights  
 4) it is a tough and costly process

### PASSAGE 3:

Fatigue of steel structures is damage caused by repeated fluctuations of stress leading to gradual cracking of a structural element. Most steel structures are not subjected to sufficiently great or sufficiently many fluctuations in load (and thus stress) that fatigue is a consideration in design. However, road and rail bridges, cranes and crane supporting structures, other mechanical equipment and machinery supporting structures are examples of steel structures that may be subject to fatigue.

In design for fatigue it is normal to design the structure for all of the other requirements (static strength, serviceability) first and then to assess the structure for

fatigue. Fatigue design is normally undertaken with the actual (or estimated) loads that will apply to the structure rather than factored loads that are used in strength aspects of design. It is important in design for fatigue to ensure that all parts of the structure are considered and that structural details and connections are carefully detailed and specified as it is these details that will greatly influence the likelihood of fatigue damage occurring during the life of the structure.

The loads used in design should be the best estimates that can be made of those that will occur in practice and should take into account dynamic effects (for example, impact loads) and loads induced by oscillations of the structure or, for example, suspended loads. Moving or rolling loads may result in more than one cycle of load during their passage over a structure or part of the structure. Care should be taken to ensure that all of the load cycles on each element of the structure are considered in assessing the structure for fatigue.

In general in considering fatigue in steel structures it is not fatigue as in the rolled parent or base metal that is important. Of far greater importance are points in the structure incorporating welds or bends or, to a lesser extent, bolts. At these points the general stress field in the elements is concentrated or amplified due to the presence of defects, notches, changes in section, etc or additional stresses are imposed on the steel due to residual stresses caused by the heating and cooling of welding or by the permanent deformation due to bending. These result in fatigue cracks generally initiating at such details.

- 26- The main purpose of this passage is to -----.**
- 1) cite important stages as the basis in design for fatigue
  - 2) present information about fatigue of steel structures
  - 3) change current ideas about fatigue
  - 4) explore the general causes of fatigue
- 27- The gradual fracture of a structural element -----.**
- 1) is made by successive alterations of stress
  - 2) takes happen in practice and is a passive effect
  - 3) is created by fatigue of structures
  - 4) results in great or many fluctuations in load
- 28- Factored loads, according to the passage, -----.**
- 1) are the actual loads using in the structure
  - 2) undertake the fatigue design in construction
  - 3) are utilized in the strength aspects of design
  - 4) occur over the unexpected service life of the structure
- 29- The word "oscillations" in paragraph 3 means -----.**
- 1) strengths
  - 2) weights
  - 3) components
  - 4) vibrations
- 30- All of the following reinforce the general stress in some particular points EXCEPT -----.**
- 1) fatigue in the steel from which structural elements are made
  - 2) the remaining stresses due to welding
  - 3) constant leaning caused by bending
  - 4) the existence of cracks, indentation or incision on its surface

۳۱- حاصل  $\lim_{x \rightarrow 0} \left( \frac{\sin^{-1} x}{x} \right)^{\frac{1}{x^2}}$  کدام است؟

(۱)  $e^{\frac{1}{6}}$

(۲)  $e^2$

(۳) ۱

(۴)  $e^3$

۳۲- شعاع و بازه همگرایی سری  $\sum_{n=1}^{\infty} \left( \frac{1 \times 3 \times 5 \times \dots \times (2n-1)}{2 \times 4 \times \dots \times 2n} \right)^2 (1-x)^n$  کدام است؟

(۱)  $R = 1, (0, 2)$

(۲)  $R = \frac{1}{2}, (0, 1]$

(۳)  $R = 1, (0, 2]$

(۴)  $R = 1, (-2, 0)$

۳۳- حاصل انتگرال  $\int_1^2 \frac{(x^2-1)}{x^2+x} dx$  کدام است؟

(۱)  $\ln \frac{5}{4}$

(۲)  $\ln \frac{5}{2}$

(۳)  $\ln \frac{4}{5}$

(۴)  $\ln \frac{25}{16}$

۳۴- حاصل  $\lim_{n \rightarrow \infty} \sum_{i=1}^n \left( \frac{1}{n} + \frac{i}{n^2} \right) \ln \left( 1 + \frac{i}{n} \right)$  کدام است؟

(۱)  $2 \ln 2 + \frac{1}{4}$

(۲)  $2 \ln 2 - \frac{3}{4}$

(۳) واگراست.

(۴)  $2 \ln 2 - \frac{5}{4}$

۳۵- مساحت بین دو نمودار  $8y = x^2$  و  $x = y^2$ ، کدام است؟

(۱)  $\frac{16}{3}$

(۲)  $\frac{4}{3}$

(۳) ۸

(۴)  $\frac{8}{3}$

۳۶- در تابع دو متغیره  $z = x^2 \tan^{-1} \frac{y}{x}$ ، حاصل  $xz_x + yz_y$  به ازای  $x = \sqrt{3}$ ،  $y = 1$ ، کدام است؟

(۱)  $\frac{\pi}{3}$

(۲)  $\pi$

(۳)  $\frac{\pi}{2}$

(۴)  $\frac{2\pi}{3}$

۳۷- کدام گزینه دربارهٔ نقاط بحرانی تابع  $f(x,y) = x^3 - x^2y^2$ ، درست است؟

(۱) فقط یک نقطه زینی دارد.

(۲) فقط یک مینیمم نسبی دارد.

(۳) فقط یک ماکزیمم نسبی دارد.

(۴) نقطه بحرانی ندارد.

۳۸- حاصل  $\int_0^1 \int_0^{\sin x} \frac{x}{\sqrt{1-y^2}} dy dx$ ، کدام است؟

(۱)  $\frac{1}{4}$

(۲)  $\frac{1}{6}$

(۳)  $\frac{1}{3}$

(۴)  $\frac{1}{5}$

۳۹- حجم ناحیه بالای صفحه  $xy$  محصور شده بین  $z = x^2 + y^2$  و  $x^2 + y^2 = 4$ ، کدام است؟

(۱)  $4\pi$

(۲)  $16\pi$

(۳)  $2\pi$

(۴)  $8\pi$



۴۰- حاصل انتگرال  $\iint_D (x+1)^2 y^2 dx dy$ ، که در آن  $D$  ناحیه محدود به خطوط  $y = x$ ،  $y = -x$  و  $x = 1$  می باشد،

کدام است؟

(۱)  $\frac{41}{90}$

(۲)  $\frac{49}{90}$

(۳)  $\frac{4}{9}$

(۴)  $\frac{1}{2}$

۴۱- منحنی های عمود بر خانواده منحنی های  $x^2 y = c$ ، کدام است؟

(۱)  $2y^2 + x^2 = c$

(۲)  $y^2 + 2x^2 = c$

(۳)  $2y^2 - x^2 = c$

(۴)  $y^2 - 2x^2 = c$

۴۲- پاسخ معادله دیفرانسیل زیر به ازای  $x = \ln 2$  کدام است؟

$$\begin{cases} y'' - 2y' + y = xe^x + 4 \\ y(0) = 1, y'(0) = 1 \end{cases}$$

(۱)  $8 \ln 2 - \frac{(\ln 2)^3}{3}$

(۲)  $8 \ln 2 + \frac{(\ln 2)^3}{3} + 2$

(۳)  $8 \ln 2$

(۴)  $8 \ln 2 + \frac{(\ln 2)^3}{3} - 2$

۴۳- فرض کنید  $y(x)$  جواب معادله دیفرانسیل  $y' = x e^{-x^2+y}$ ، با شرط  $y(0) = 0$  باشد، در این صورت مجانب افقی

$y(x)$  کدام است؟

(۱)  $y = 0$

(۲)  $y = \ln 2$

(۳)  $y = 1$

(۴) تابع جواب فاقد مجانب افقی است.

۴۴- اگر  $y$  پاسخ معادله  $\begin{cases} y' = 2\frac{y}{x} + x \tan \frac{y}{x^2} \\ y(\sqrt{2}) = \pi \end{cases}$  باشد، آن گاه  $y(1)$  کدام است؟

(۱)  $\frac{\pi}{4}$

(۲)  $\pi$

(۳) صفر

(۴)  $\frac{\pi}{2}$

۴۵- حاصل  $\int_0^{\infty} \frac{e^{-2x} \sin 3x}{x} dx$ ، کدام است؟

(۱)  $\tan^{-1} \frac{2}{3}$

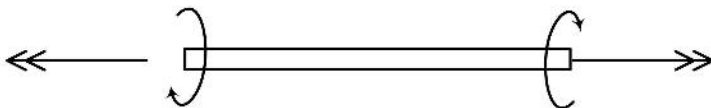
(۲)  $\tan^{-1} \frac{3}{2}$

(۳)  $\tan^{-1} \frac{1}{3}$

(۴)  $\tan^{-1} \frac{3}{4}$

مکانیک جامدات (مقاومت مصالح، تحلیل سازه‌ها ۱):

۴۶- بر میله‌ای مطابق شکل زیر، لنگر پیچشی برابر و مختلف‌الجهت وارد می‌شود. مقطع میله دارای کدام شکل باشد، که در آن تنش عمودی ایجاد نشود؟



(۱) مستطیل

(۲) هر شکلی می‌تواند باشد.

(۳) مثلث

(۴) دایره توپر و توخالی

۴۷- صفحه نازک مربعی به طول ضلع  $L$ ، از مصالح ایزوتروپ با مدول الاستیسیته  $E$  و نسبت پواسون  $\nu$  تحت بارگذاری دو محوره با مؤلفه‌های تنش  $\sigma_x$  و  $\sigma_y$  قرار دارد. تغییر طول قطر صفحه چه مقدار است؟

(۱)  $\frac{L(1+\nu)}{E\sqrt{2}}(\sigma_x + \sigma_y)$

(۲)  $\frac{L\sqrt{2}}{E}(\sigma_x + \nu\sigma_y)$

(۳)  $\frac{L(1-\nu)}{E\sqrt{2}}(\sigma_x + \sigma_y)$

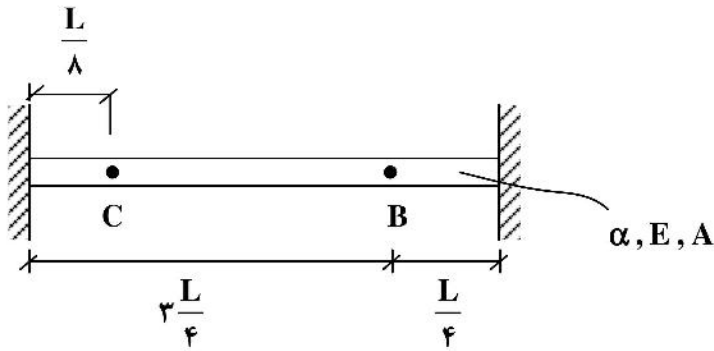
(۴)  $\frac{L}{E\sqrt{2}}(\sigma_x + \sigma_y)$

۴۸- در کدام حالت خمش تیر اویلر - برنولی، کرنش عمودی به صورت خطی در عمق تیر تغییر نمی‌کند؟

- (۱) پلاستیک‌شدن مصالح تیر
- (۲) کمانش تیر تحت بار خارج از مرکز
- (۳) تیر با محور عضو خمیده
- (۴) عدم پیروی مصالح از رفتار خطی

۴۹- یک میله همگن منشوری با سطح مقطع A، مدول الاستیسیته E و ضریب انبساط حرارتی  $\alpha$ ، تحت افزایش دمای

یکنواخت  $\Delta T$  مطابق شکل قرار می‌گیرد. جابه‌جایی نقطه B و C روی میله، به ترتیب از راست به چپ کدام است؟



(۱)  $\frac{L}{8}\alpha\Delta T$ ،  $\frac{3L}{4}\alpha\Delta T$

(۲)  $\frac{L}{8}\alpha\Delta T$ ،  $\frac{L}{4}\alpha\Delta T$

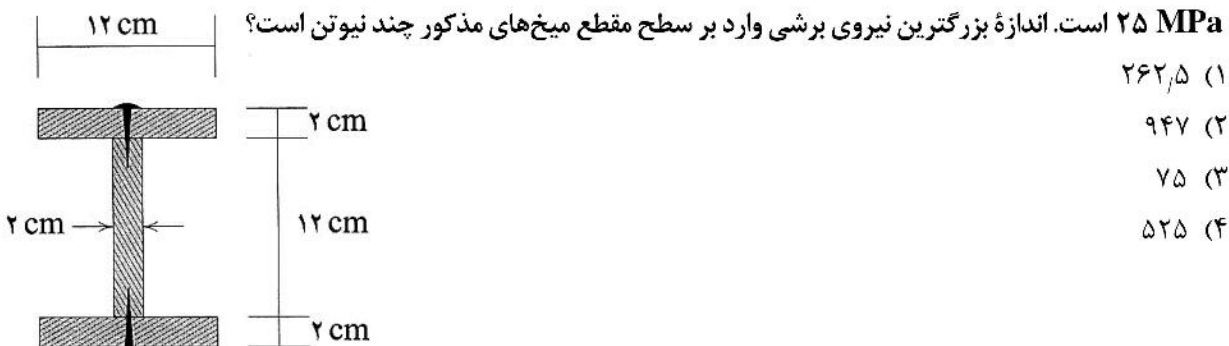
(۳) صفر، صفر

(۴)  $\frac{3L}{4}\alpha\Delta T$ ،  $\frac{L}{8}\alpha\Delta T$

۵۰- برای ساخت یک تیر چوبی قطعانی را مطابق شکل با استفاده از میخ به هم متصل کرده‌ایم. فاصله هر دو میخ متوالی در امتداد

طول تیر برابر ۱۰ cm است. در اثر اعمال بارهای عرضی، بزرگترین لنگر خمشی و نیروی برشی ایجاد شده در این تیر

به ترتیب برابر با  $۸۷.۳ \frac{kN}{m}$  و  $۸۳۰ N$  است. از سوی دیگر می‌دانیم که بزرگترین تنش عمودی وارد بر مقطع تیر برابر با



۲۵ MPa است. اندازه بزرگترین نیروی برشی وارد بر سطح مقطع میخ‌های مذکور چند نیوتن است؟

(۱) ۲۶۲.۵

(۲) ۹۴۷

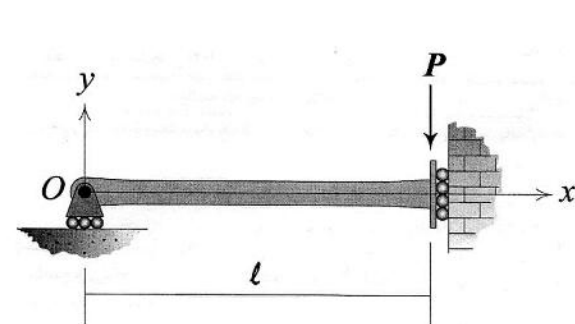
(۳) ۷۵

(۴) ۵۲۵

۵۱- برای تیر نشان‌داده شده، تابع تغییر مکان زیر را پیشنهاد کنیم، که در آن EI معرف صلیبیت خمشی تیر است.

حاصل  $\sum_{i=1}^4 A_i$ ، کدام است؟

$$y(x) = \frac{Pl^3}{EI} \left( A_1 \left( \frac{x}{l} \right)^3 + A_2 \left( \frac{x}{l} \right)^2 + A_3 \left( \frac{x}{l} \right) + A_4 \right)$$



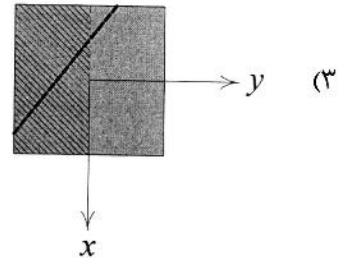
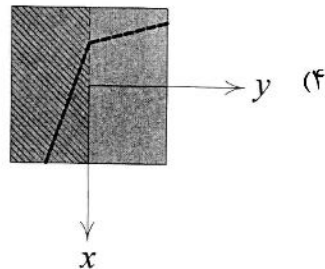
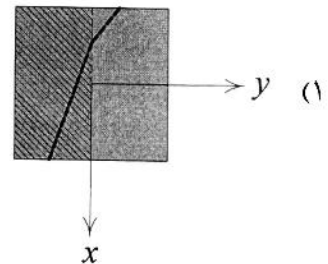
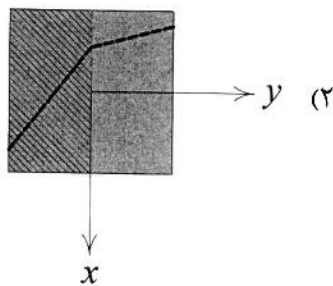
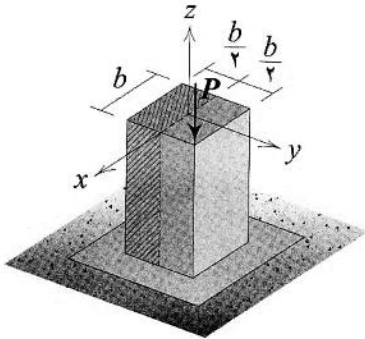
(۱)  $-\frac{1}{3}$

(۲)  $-\frac{1}{12}$

(۳)  $-\frac{1}{2}$

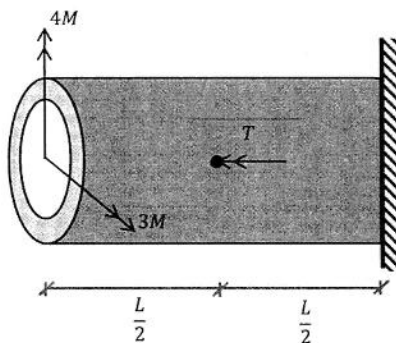
(۴)  $-\frac{1}{6}$

۵۲- یک مقطع مرکب مطابق شکل بارگذاری شده است. مدول یانگ ناحیه هاشورخورده دو برابر ناحیه دیگر است. کدام گزینه مکان هندسی نقاطی را از سطح مقطع جسم که در آن تنش‌های عمودی برابر با صفر هستند را نشان می‌دهد؟



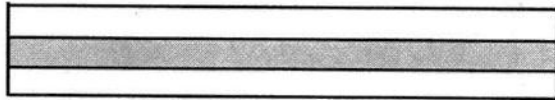
۵۳- در میله‌ای با مقطع جدار نازک به شعاع متوسط  $R$  و ضخامت ثابت  $t$ ، لنگرهای خمشی نشان داده شده در انتهای میله و لنگر پیچشی  $T = M$  در وسط میله اعمال شده است. در این صورت حداکثر تنش برشی ایجاد شده در این

میله چه ضربی از  $\frac{M}{\pi R^2 t}$  است؟



- (۱)  $\frac{11}{2}$
- (۲)  $\frac{\sqrt{13}}{2}$
- (۳)  $\frac{15}{2}$
- (۴)  $\frac{\sqrt{26}}{2}$

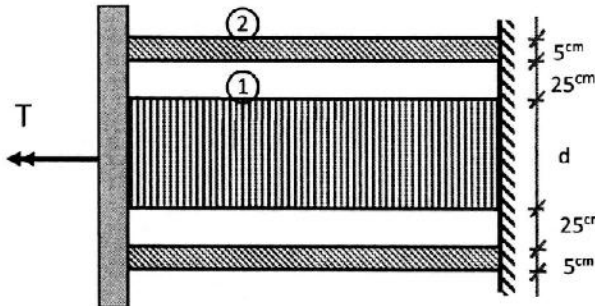
۵۴- سه میله با مقطع مستطیلی یکسان مطابق شکل به یکدیگر متصل شده است، چنانچه ضریب انبساط حرارتی و مدول ارتجاعی میله میانی برابر  $\alpha_1$  و  $E_1$  باشد و برای میله‌های کناری برابر با  $\alpha_2$  و  $E_2$  باشد، آنگاه تحت افزایش درجه حرارت یکنواخت میله‌ها به اندازه  $\Delta T$ ، تنش ایجادشده در میله میانی چه ضریبی از  $\alpha_1 E_1 \Delta T$  است؟  
 ( $E_1 = 0.5 E_2$  ,  $\alpha_1 = 2 \alpha_2$ )



- (۱)  $\frac{2}{5}$
- (۲)  $\frac{1}{4}$
- (۳)  $\frac{1}{5}$

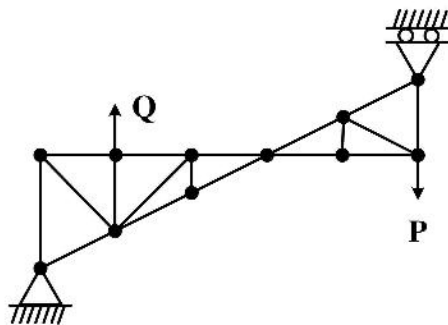
(۴) در میله‌ها تنش ایجاد نمی‌شود.

۵۵- مطابق با شکل زیر لنگر پیچشی از طریق صفحه صلبی به میله (۱) و لوله (۲) متصل می‌شود، قطر میله (d) چند سانتی‌متر باشد تا هر دو هم‌زمان به تنش تسلیم خود برسند؟ ( $\tau_{y1} = 1.5 \tau_{y2}$  ,  $G_1 = 2 G_2$ )



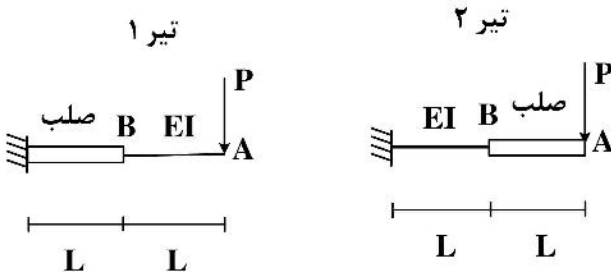
- (۱) ۲۹۰
- (۲) ۱۸۰
- (۳) ۱۰۰
- (۴) ۲۴۰

۵۶- وضعیت خرابی زیر از لحاظ پایداری و درجه نامعینی با کدام گزینه هم‌خوانی دارد؟



- (۱) پایدار - معین
- (۲) پایدار - با دو درجه نامعین
- (۳) ناپایدار
- (۴) پایدار - با یک درجه نامعین

۵۷- نسبت تغییر مکان قائم نقطه A در تیر ۱ به تغییر مکان قائم نقطه B در تیر ۲ چقدر است؟

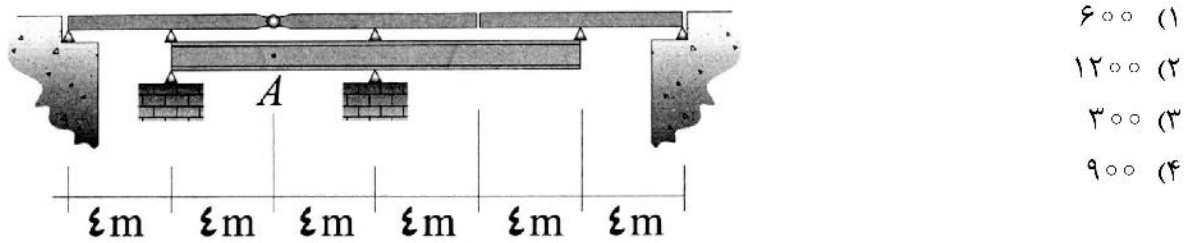


- (۱)  $\frac{16}{5}$
- (۲)  $\frac{2}{5}$
- (۳)  $\frac{16}{3}$
- (۴)  $\frac{2}{3}$

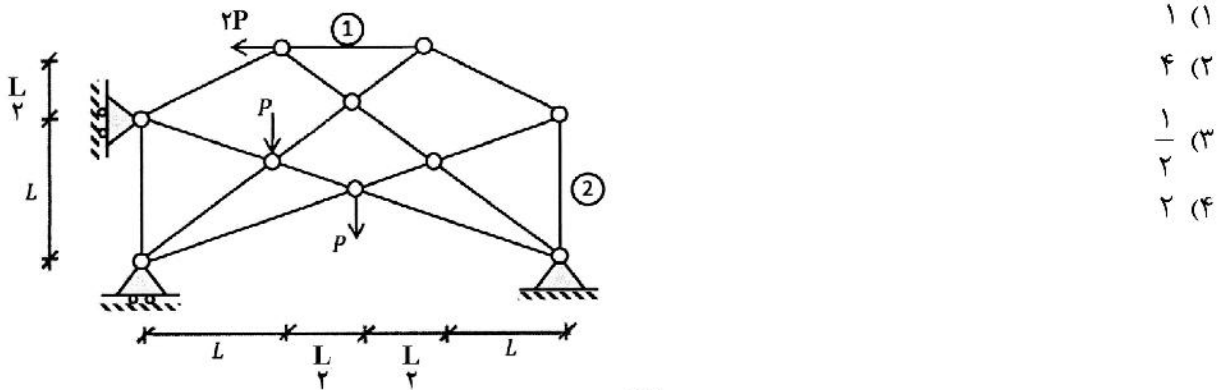
۵۸- مقدار چرخش قسمت صلب تیر نشان داده شده بر حسب  $\frac{PL^2}{EI}$ ، کدام است؟



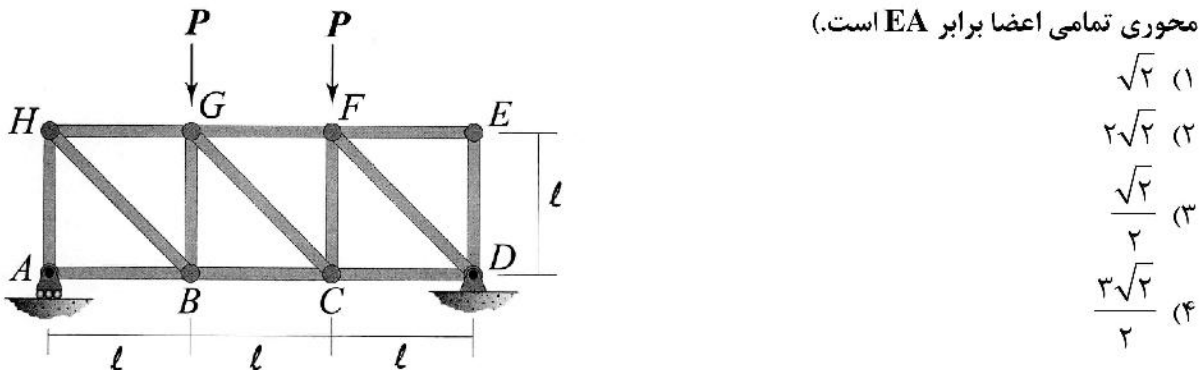
۵۹- اندازه بزرگترین لنگر خمشی پدید آمده در نقطه A به ازای عبور بار گسترده متحرکی با سطح تماس ۴ m و شدت  $50 \frac{kN}{m}$  بر روی سطح فوقانی پل بر حسب  $\frac{kN}{m}$  کدام است؟



۶۰- در خرابی زیر نسبت نیروی میله ۱ به نیروی میله ۲ کدام است؟



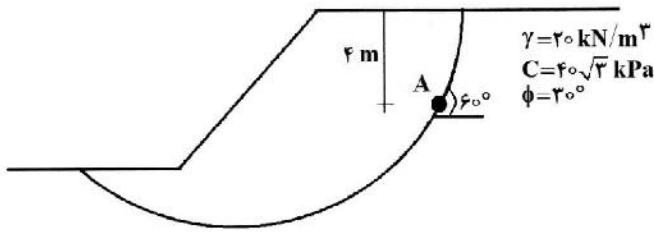
۶۱- در خرابی نشان داده شده دو گره B و F بر حسب  $\frac{Pl}{EA}$  چقدر به یکدیگر نزدیک می شوند؟ (در این خرابی صلبیت محوری تمامی اعضا برابر EA است.)





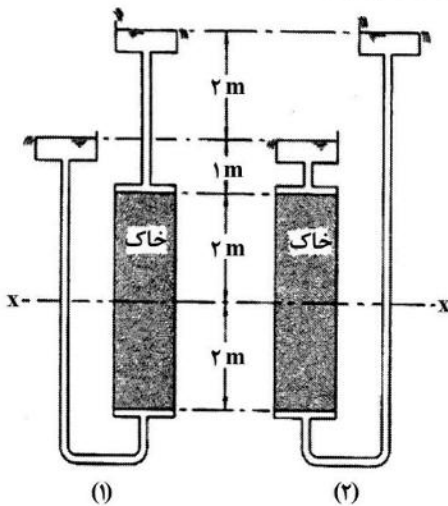
مکانیک خاک و پی سازی:

۶۶- در شکل زیر ضریب اطمینان لغزش در نقطه A به کدام گزینه نزدیک است؟



- (۱) ۱
- (۲) ۲/۷۳
- (۳) ۰/۷۵
- (۴) ۱/۳۳

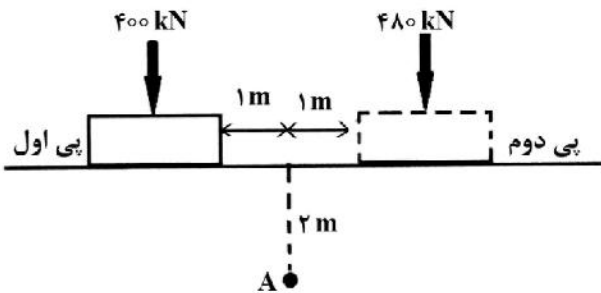
۶۷- در شکل زیر نسبت تنش مؤثر خاک حالت (۱) به حالت (۲) در تراز X-X کدام است؟



( $\gamma_w = 10 \text{ kN/m}^3$  و  $\gamma_{sat} = 20 \text{ kN/m}^3$ )

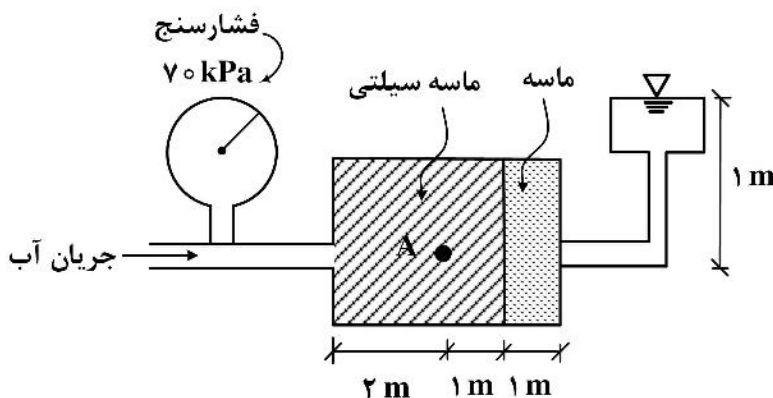
- (۱) ۳
- (۲) ۱
- (۳) ۲
- (۴) ۲/۳۳

۶۸- یک پی مربع با بعد ۲ متر بار ۴۰۰ کیلونیوتن را تحمل می کند. اگر یک پی مشابه با بار ۴۸۰ کیلونیوتن نیز مطابق شکل در فاصله ۲ متری اجرا شود، افزایش تنش به روش تقریبی (۲ به ۱) در نقطه A با اجرای پی اول و دوم به ترتیب کدام است؟ (کیلوپاسکال)



- (۱) ۲۵ و ۳۰
- (۲) ۱۰۰ و ۲۲۰
- (۳) ۲۵ و ۵۵
- (۴) ۱۰۰ و ۱۲۰

۶۹- در شکل زیر ضریب نفوذپذیری ماسه سیلتی (سمت چپ) برابر با  $5 \times 10^{-4}$  متر بر ثانیه است. مساحت مقطع خاک ۲ مترمربع و دبی عبوری  $5 \times 10^{-4}$  مترمکعب بر ثانیه است. فشار آب حفره‌ای در نقطه A چند کیلوپاسکال است؟



- (۱) ۶۰
- (۲) ۳۰
- (۳) ۸۰
- (۴) ۴۰



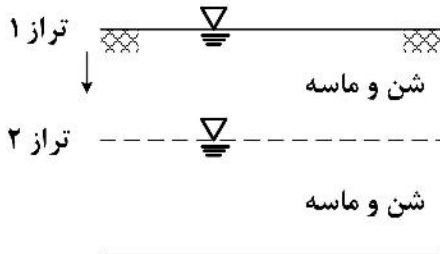
۷۰- دو نمونه ماسه از یک منبع قرضه به ترتیب دارای وزن مخصوص خشک ۱۵ و ۱۸ کیلونیوتن بر مترمکعب هستند. اگر نسبت تخلخل این دو نمونه  $\frac{e_1}{e_2} = 1/6$  باشد، وزن مخصوص دانه‌های جامد ماسه ( $G_s$ ) کدام است؟ (وزن مخصوص آب ۱۰ کیلونیوتن بر مترمکعب است.)

- (۱) ۲٫۶
- (۲) ۲٫۸
- (۳) ۲٫۵
- (۴) ۲٫۷

۷۱- در یک آزمایش برشی مستقیم روی یک نمونه رسی تحت تنش نرمال ۳۰۰ کیلوپاسکال، تنش‌های اصلی حداقل و حداکثر در لحظه گسیختگی به ترتیب برابر با ۲۰۰ و ۵۰۰ کیلوپاسکال هستند. تنش برشی در صفحه گسیختگی و چسبندگی زهکشی شده خاک رس به ترتیب از راست به چپ حدوداً چند کیلوپاسکال هستند؟

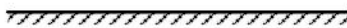
- (۱) ۷۰-۷۸
- (۲) ۳۵-۷۸
- (۳) ۳۵-۱۴۲
- (۴) ۷۰-۱۴۲

۷۲- در نیم‌رخ نشان داده شده در شکل زیر، چنانچه سطح آب زیرزمینی از تراز ۱ به تراز ۲ افت پیدا کند، مقدار تنش کل و فشار آب منفذی در کوتاه مدت چه تغییری خواهد کرد؟



- (۱) تنش کل و فشار آب منفذی کاهش می‌یابند.
- (۲) تنش کل کاهش و فشار آب منفذی ثابت باقی می‌ماند.
- (۳) تنش کل و فشار آب منفذی ثابت باقی می‌مانند.
- (۴) تنش کل ثابت و فشار آب منفذی کاهش می‌یابد.

● A رس با نفوذپذیری کم



سنگ بستر

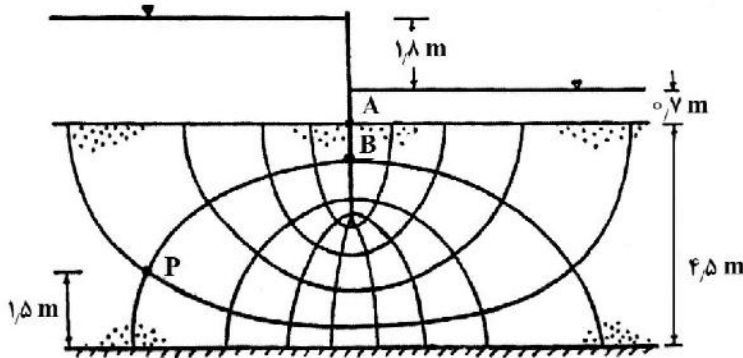
۷۳- دو نمونه رس اشباع عادی تحکیم یافته ( $C_s = 0.2C_c$ )، در آزمایش تحکیم تحت تنش  $P$  قرار دارند. در نمونه اول تنش قائم از  $P$  به  $10P$  افزایش یافته و تحکیم می‌شود. در نمونه دوم ابتدا با افزایش تنش از  $P$  به  $100P$  نمونه تحکیم شده و سپس تنش به  $10P$  کاهش می‌یابد. نسبت نشست تحکیمی نمونه دوم به نمونه اول کدام است؟

- (۱) ۱
- (۲) ۲
- (۳) ۰٫۵۵
- (۴) ۱٫۸

۷۴- در آزمایش تحکیم تک بعدی مقدار تنش از  $2 \frac{\text{kg}}{\text{cm}^2}$  به  $4 \frac{\text{kg}}{\text{cm}^2}$  افزایش می‌یابد. تخلخل اولیه نمونه  $0.78$  و ضخامت اولیه نمونه  $2$  سانتی‌متر است که با افزایش سربار  $2$  میلی‌متر نشست می‌کند. تراکم نسبی (Dr) نمونه چند درصد شده است؟ ( $e_{\min} = 0.5$ ,  $e_{\max} = 1$ )

- (۱) ۴۰
- (۲) ۸۰
- (۳) ۳۶
- (۴) ۶۷

۷۵- در شکل زیر فشار آب حفره‌ای در نقطه P (کیلوپاسکال) و گرادیان هیدرولیکی خروجی حداکثر به ترتیب از راست به چپ کدام است؟ ( $AB = 1\text{m}$ )



- (۱) ۲۳ - ۰.۶۲
- (۲) ۵۲ - ۰.۲۰
- (۳) ۲۳ - ۰.۲۲
- (۴) ۵۲ - ۰.۶۲

۷۶- گسیختگی یک پی مربعی اجرا شده بر روی پوشش نهایی یک مرکز دفن زباله به چه صورت است؟  
 (۱) برشی سوراخ‌کننده (۲) برشی شکننده (۳) برشی کلی (۴) برشی موضعی

۷۷- چند مورد از موارد بیان شده، از ویژگی‌های خاک‌های برجاست؟  
 - خاصیت رمبندگی از خود نشان می‌دهند.

- تغییر دانه‌بندی با عمق به صورت تدریجی رخ می‌دهد.
- سرعت هوازگی بیشتر از سرعت انتقال است.
- پیدایش این خاک‌ها در مناطق گرم و مرطوب است.

- (۱) ۲ (۲) ۴ (۳) ۱ (۴) ۳

۷۸- آزمایش برش پره، در کدام یک از خاک‌های اشباع زیر کاربرد ندارد؟

- (۱) سیلت (۲) رس ماسه‌دار (۳) شن (۴) رس

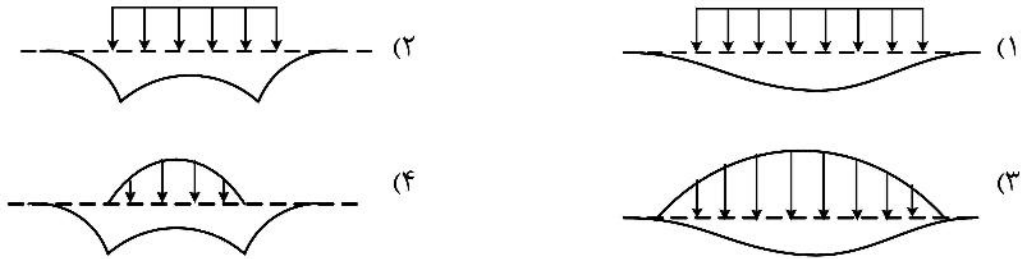
۷۹- با افزایش برون محوری یک‌طرفه در راستای عرض فونداسیون و زاویه اعمال بار نسبت به راستای قائم، ظرفیت باربری نهایی به ترتیب چگونه تغییر می‌یابد؟

- (۱) افزایش - افزایش (۲) کاهش - کاهش
- (۳) کاهش - افزایش (۴) افزایش - کاهش

۸۰- در یک زمین ماسه‌ای جهت حمل بارهای قائم دیوار محوطه‌ای از ظرفیت باربری نهایی یک پی نواری به عرض B مستقر بر سطح زمین استفاده می‌شود. اگر چنانچه بارهای قائم وارده از ناحیه دیوار موردنظر در هر متر طول پی به دو برابر افزایش داده شود، عرض پی را چند برابر باید در نظر بگیریم؟

- (۱)  $\sqrt{2}$  (۲)  $2\sqrt{2}$
- (۳)  $\frac{\sqrt{2}}{2}$  (۴) ۲

۸۱- کدام پروفایل توزیع فشار تماسی و نشست الاستیک فوندانسیون کاملاً انعطاف پذیر است؟ (در صورتی که فوندانسیون مستقر بر بستر الاستیک بوده و تغییرات مدول الاستیسیته بستر با عمق ثابت باشد).



۸۲- یک پی نواری بر روی سطح خاک رس اشباعی به ضخامت  $H$  احداث شده است. چنانچه تنش مؤثر موجود در وسط لایه رسی قبل از احداث پی برابر  $P'_0$  و افزایش تنش متوسط در اثر احداث پی و بارگذاری برابر  $9P'_0$  باشد، دو حالت زیر برای خاک رس در نظر بگیرید:

حالت ۱- خاک رس تحکیم عادی یافته با شاخص فشردگی  $C_c$  و نسبت تخلخل اولیه  $e_0$   
 حالت ۲- خاک رس بیش تحکیم یافته با شاخص تورم  $C_s = 0.2 C_c$  و فشار بیش تحکیمی برابر  $10P'_0$  و نسبت تخلخل اولیه  $e_0$

نسبت نشست تحکیمی حالت ۱ به نشست تحکیمی حالت ۲ چقدر خواهد بود؟

(۱) ۷/۵

(۲) ۲/۵

(۳) ۱۰

(۴) ۵

۸۳- در طراحی و تحلیل دیوارهای حائل، در صورت برآورده نشدن کدام معیار پایداری، زبانه لحاظ می‌گردد؟

(۱) کنترل ظرفیت باربری (۲) کنترل لغزش (۳) کنترل واژگونی (۴) کنترل نشست

۸۴- اگر دیوار حائلی را در نظر بگیریم که نسبت به خاکریز پشت دیوار شروع به حرکت نماید، در فرایند شکل‌گیری کدام یک از حالات زیر دایره مور از وضعیت دایره‌ای به قطر صفر (یک نقطه) عبور می‌کند؟

(۱) حالت محرک (۲) حالت سکون

(۳) حالت مقاوم (۴) هر دو حالت محرک و مقاوم

۸۵- برای یک شمع با مقطع مربع به ضلع  $0.4$  متر و طول مدفون  $16$  متر در یک نهشته رسی اشباع، نسبت مقاومت نوک شمع در حالت بلندمدت به کوتاه‌مدت «تقریباً» چند است؟

$c'_u = 10 \text{ kPa}$        $c_u = 50 \text{ kPa}$        $\text{tg}\phi' = \frac{1}{2}$        $N_q^* = 5$

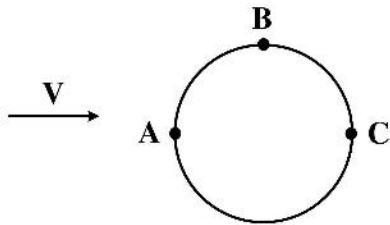
$\gamma_\omega = 10 \frac{\text{kN}}{\text{m}^3}$        $\gamma_{\text{sat}} = 20 \frac{\text{kN}}{\text{m}^3}$        $N_c^* = (N_q^* - 1) \cot \phi'$

(۱) ۱

(۲) ۲  
 (۳)  $\frac{1}{2}$   
 (۴)  $\frac{3}{2}$

مکانیک سیالات و هیدرولیک:

۸۶- در جریان سیال لزج از روی کره کدام عبارت درست است؟



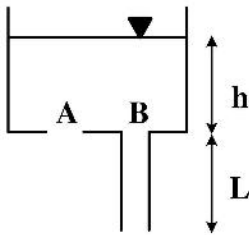
(۱)  $P_A = P_C > P_B$

(۲)  $P_A > P_B = P_C$

(۳)  $P_A > P_C > P_B$

(۴)  $P_A < P_B < P_C$

۸۷- یک مخزن تا عمق  $h$  از آب پر شده است. در کف این مخزن، یک روزنه در نقطه  $A$  ایجاد شده است و یک لوله نیز به طول  $L$  در نقطه  $B$  متصل است و آب از هردو تخلیه می‌گردد. قطر روزنه و لوله هردو یکسان و برابر با  $D$  است. از افت‌های موضعی و اصطکاک در لوله صرف‌نظر می‌شود. کدام مورد درست است؟



(۱) دبی خروجی از روزنه  $A$  بیشتر از دبی خروجی از لوله  $B$  است.

(۲) دبی خروجی از لوله  $B$  بیشتر از دبی خروجی از روزنه  $A$  است.

(۳) دبی خروجی از روزنه  $A$  و لوله  $B$  با یکدیگر برابر هستند.

(۴) اگر  $L$  بزرگتر از  $h$  گردد، دبی در لوله  $B$  کمتر از روزنه  $A$  می‌گردد و در سایر حالات، دبی‌ها یکسان هستند.

۸۸- در یک لوله واگرا با محور افقی، سرعت جریان آب در محور آن در فاصله  $0.5$  متری  $AB$ ، از مقدار  $V_A = 5 \frac{m}{s}$

در بالادست به  $V_B = 1 \frac{m}{s}$  در پایین‌دست به‌طور خطی کاهش می‌یابد. با صرف‌نظرکردن از افت‌انرژی، مقدار

گرادیان فشار در نقطه بالادست  $A$  چند کیلوپاسکال بر متر  $(\frac{kPa}{m})$  است؟

(جرم مخصوص آب  $\rho = 1000 \frac{kg}{m^3}$ )

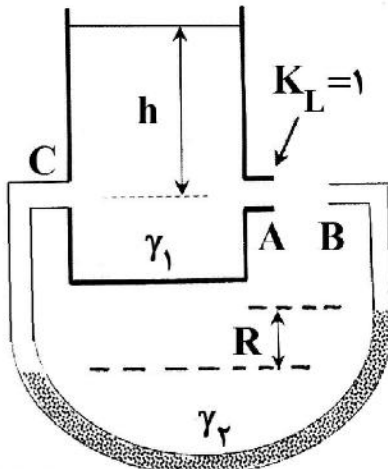
(۴) ۸۰

(۳) ۲۰

(۲) ۱۰۰

(۱) ۴۰

۸۹- مطابق شکل زیر، در نقطه  $A$  روزنه کوچکی در مخزن ایجاد شده است که مایع با وزن مخصوص  $\gamma_1$  از آن به اتمسفر تخلیه می‌گردد. به‌فاصله بسیار کمی از روزنه  $A$  و در برابر جت خروجی از آن، ورودی یک لوله (نقطه  $B$ ) قرار دارد که سر دیگر آن در نقطه  $C$  و هم‌تراز با نقطه  $A$ ، به مخزن متصل است. درون لوله با مایعات  $\gamma_1$  و  $\gamma_2$  پر شده است. اگر ضریب افت روزنه  $A$  برابر با  $K_L = 1$  باشد و بدانیم  $\gamma_2 = 3\gamma_1$ ، مقدار  $R$  کدام است؟



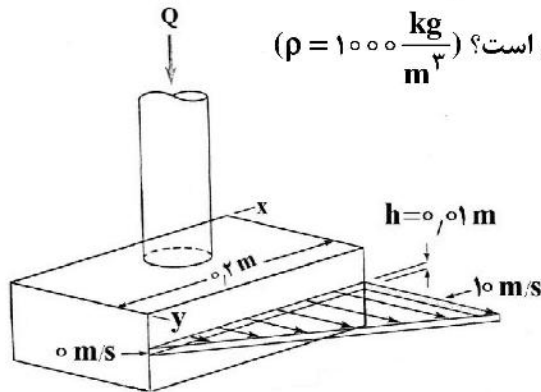
(۱)  $\frac{h}{2}$

(۲) صفر

(۳)  $\frac{h}{4}$

(۴)  $h$

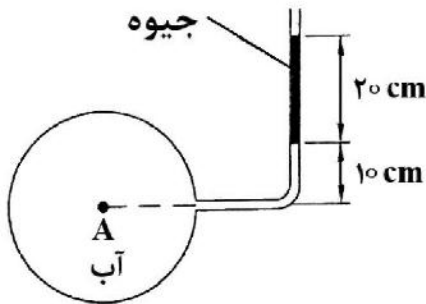
۹۰- یک صفحه مورب با ضخامت ثابت ( $h = 0.01 \text{ m}$ ) از یک دستگاه مطابق شکل خارج می‌شود. آب به‌طور قائم وارد لوله می‌شود و به‌طریق افقی با سرعتی که به‌طور خطی از  $0$  تا  $10 \frac{\text{m}}{\text{s}}$  تغییر می‌کند از دستگاه خارج می‌شود.



مؤلفه  $y$  نیروی لازم برای ثابت نگه‌داشتن دستگاه چند نیوتن است؟ ( $\rho = 1000 \frac{\text{kg}}{\text{m}^3}$ )

- (۱) ۶۶/۶
- (۲) ۹۷/۴
- (۳) ۳۳/۳
- (۴) ۸۱/۲

۹۱- لوله افقی به طول یک متر و شعاع نیم متر مطابق شکل حاوی آب می‌باشد. نیروی وارد بر نیمه بالایی سطح لوله چند نیوتن است؟ ( $\pi = 3$ ) و ( $\text{SG} = 13/6 = \text{جیوه}$ )



- (۱)  $2/821 \gamma_{\text{H}_2\text{O}}$
- (۲)  $1/333 \gamma_{\text{H}_2\text{O}}$
- (۳)  $3/751 \gamma_{\text{H}_2\text{O}}$
- (۴)  $2/445 \gamma_{\text{H}_2\text{O}}$

۹۲- ضخامت زیر لایه لزج در یک لوله صاف به قطر یک فوت، بر حسب فوت چقدر است؟ (عدد رینولدز  $20000$  و ضریب دارسی - ویسباخ  $0.25$  فرض می‌شوند).

- (۱)  $2/8 \times 10^{-3}$
- (۲)  $1/4 \times 10^{-3}$
- (۳)  $3/2 \times 10^{-3}$
- (۴)  $2 \times 10^{-3}$

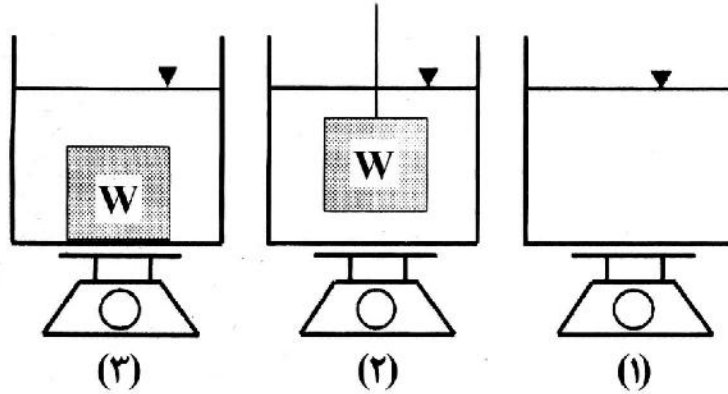
۹۳- سیالی در یک لوله افقی به قطر  $0.1$  اینچ جریان دارد. اگر عدد رینولدز  $1000$  باشد، افت بار در یک طول  $32$  فوت از این لوله  $6/4$  فوت خواهد بود. سرعت جریان سیال چند فوت بر ثانیه است؟ ( $g = 32 \frac{\text{ft}}{\text{s}^2}$ )

- (۱)  $2/7$
- (۲)  $1/3$
- (۳)  $3/1$
- (۴)  $2/2$

۹۴- دو سطح مسطح افقی به فاصله  $2/4$  سانتی‌متر از یکدیگر به‌طور موازی قرار گرفته و فضای خالی بین آنها پر از روغن با لزجت دینامیکی  $0.2 \frac{\text{N}\cdot\text{s}}{\text{m}^2}$  است. اگر یک صفحه نازک به مساحت سطح  $0.5$  مترمربع در وسط سطوح موازی افقی مذکور با سرعت  $0.6$  متر بر ثانیه کشیده شود، مقدار نیروی کششی لازم  $F$ ، برای به حرکت درآوردن صفحه متحرک مذکور چند نیوتن خواهد شد؟

- (۱) ۱
- (۲) ۱۰۰
- (۳) ۰/۱
- (۴) ۱۰

۹۵- یک ظرف حاوی آب مطابق شکل (۱) بر روی ترازو قرار داده می‌شود. در حالت (۲) یک مکعب فلزی به وزن  $W$  بوسیله یک نخ به صورت آویزان در همان ظرف معلق است. در حالت (۳)، همان مکعب فلزی به وزن  $W$  در کف همان ظرف قرار داده شده است. کدام گزینه در مورد وزنی که ترازو نشان می‌دهد، درست است؟



- (۱) وزن حالت (۲) بیشتر از حالت (۱) است، اما این اختلاف کمتر از  $W$  است - وزن حالت (۳) بیشتر از حالت (۱) است، این اختلاف دقیقاً برابر  $W$  است.
- (۲) وزن حالت (۲) نسبت به حالت (۱) تغییری ندارد - وزن حالت (۳) بیشتر از حالت (۱) است، این اختلاف دقیقاً برابر  $W$  است.
- (۳) وزن حالت (۲) بیشتر از حالت (۱) است، اما این اختلاف کمتر از  $W$  است - وزن حالت (۳) بیشتر از حالت (۱) است اما این اختلاف کمتر از  $W$  است.
- (۴) وزن حالت (۲) نسبت به حالت (۱) تغییری ندارد - وزن حالت (۳) بیشتر از حالت (۱) است، اما این اختلاف کمتر از  $W$  است.

۹۶- میدان سرعت یک جریان به صورت  $\vec{V} = x\vec{i} + 2y\vec{j}$  تعریف شده است. معادله خط جریان در نقطه  $M(1, 1)$  کدام است؟

$$y = \sqrt{2x} \quad (۱)$$

$$y = 2x^2 \quad (۲)$$

$$x = \sqrt{y} \quad (۳)$$

$$x = \sqrt{2y} \quad (۴)$$

۹۷- سه لوله یکسان به طول  $L$  و قطر  $D$  و ضریب اصطکاک  $f$  به صورت موازی بین دو نقطه در یک شبکه قرار دارند. اگر به جای این سه لوله، یک لوله معادل به قطر  $D$  و ضریب اصطکاک  $f$  جایگزین شود، طول این لوله چقدر باید باشد تا همان دبی را عبور دهد؟

$$\frac{\sqrt{3}L}{3} \quad (۱)$$

$$\frac{L}{9} \quad (۲)$$

$$\frac{\sqrt{3}L}{9} \quad (۳)$$

$$\frac{L}{3} \quad (۴)$$

۹۸- در منطقه ورودی جریان به یک کانال باز، کدام عبارت درست است؟

- (۱) در محدوده انتقالی همواره نیروهای کشش سطحی از نیروی ثقل بیشتر است.
- (۲) در محدوده انتقالی همواره نیروهای اصطکاک از نیروی ثقل بیشتر است.
- (۳) در محدوده انتقالی نیروهای کشش سطحی و وزن در موازنه با یکدیگر قرار دارند.
- (۴) در محدوده انتقالی جریان به معنی عدم تعادل نیروهای وارد بر سیال است.

۹۹- در کدام حالت جریان یکنواخت امکان پذیر است؟

- (۱) جریان در یک کانال باز با بستر شنی
- (۲) جریان در یک کانال باز منشوری با پوشش گیاهی روی دیوارها
- (۳) جریان در اطراف یک پایه پل
- (۴) در یک کانال افقی با بستر صاف

۱۰۰- توزیع جهانی سرعت در جریان آشفته روی یک کانال باز با بستر ماسه به کدام صورت است؟ (  $y$  = فاصله از بستر،  $v$  = لزجت سینماتیکی و  $k_s$  = ضخامت زبری)

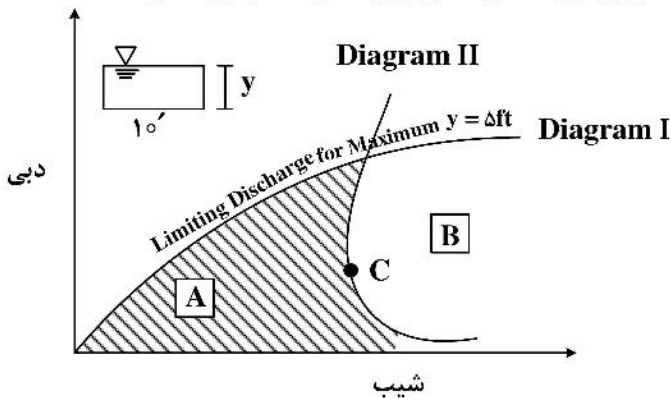
$$\frac{u}{u_*} = \frac{1}{k} \ln \frac{y}{v} + C \quad (۱)$$

$$\frac{u}{u_*} = \frac{1}{k} \ln \frac{y}{k_s} + C \quad (۲)$$

$$\frac{u}{u_*} = \frac{1}{k} \ln \frac{yu_*}{k_s} + C \quad (۳)$$

$$\frac{u}{u_*} = \frac{1}{k} \ln \frac{yu_*}{v} + C \quad (۴)$$

۱۰۱- در نمودار زیر تغییرات دبی - شیب جریان در جریان یکنواخت نمایش داده شده است. Diagram I حداکثر دبی به ازای حداکثر عمق جریان ۵ ft در یک کانال مستطیلی با عرض ۱۰ ft را نمایش می دهد. Diagram II تغییرات شیب بحرانی جریان یکنواخت و دبی متناظر آن را نمایش می دهد. براساس این شکل کدام گزینه درست است؟



- (۱) در محدوده A، جریان زیر بحرانی است.
  - (۲) نقطه C، حداقل شیب بحرانی (شیب بحرانی حدی) در جریان یکنواخت کانال تحت مطالعه است.
  - (۳) در محدوده B، جریان زیر بحرانی است.
  - (۴) جریان های با ویژگی های مشخص واقع در بالای diagram I به ازای اعماق بیش از ۵ ft، یکنواخت نیست.
- ۱۰۲- اگر عدد فرود جریان فوق بحرانی قبل از جهش آبی  $\sqrt{3}$  باشد، عدد فرود جریان زیر بحرانی پس از جهش چقدر است؟

$$\frac{\sqrt{2}}{2} \quad (۱)$$

$$4\sqrt{2} \quad (۲)$$

$$\frac{\sqrt{2}}{4} \quad (۳)$$

$$2\sqrt{2} \quad (۴)$$

۱۰۳- آب در یک کانال مستطیلی به عرض  $b$  و عمق  $\frac{b}{3}$  جریان دارد. قطر یک کانال دایره‌ای نیمه‌پر با همان جنس مصالح به صورت تابع  $b$  که همان جریان کانال مستطیلی را حمل می‌کند، چقدر است؟ (k یک ثابت عددی است).

- (۱)  $kb^{\frac{2}{3}}$  (۲)  $kb^{\frac{1}{2}}$  (۳)  $kb^{\frac{2}{3}}$  (۴)  $kb$

۱۰۴- جریان در یک کانال مستطیلی، با عرض و عمق بحرانی  $2\text{ m}$  را در نظر بگیرید. اگر همین جریان در کانال مثلثی

شکل با شیب دیوار  $\frac{\sqrt{2}}{1} = \frac{\text{افق}}{\text{قائم}}$  برقرار باشد، عمق بحرانی در کانال مثلثی چند متر است؟

(۱) ۱٫۷

(۲) ۲٫۵

(۳) ۱٫۵

(۴) ۲

۱۰۵- در یک کانال مستطیلی با عرض کف ۲ متر آب با دبی  $2\sqrt{10}$  مترمکعب بر ثانیه و عمق ۱ متر در جریان است. اگر در این

کانال یک دریچه با میزان بازشدگی  $0.5$  متر قرار داده شود، چه نوع پروفیل‌هایی به ترتیب در بالادست و پایین‌دست دریچه تشکیل می‌شود؟

(۱)  $M_3, C_1$

(۲)  $C_3, C_1$

(۳)  $C_3, M_1$

(۴)  $M_3, M_1$

طراحی (سازه‌های فولادی (۱ و ۲)، سازه‌های بتنی (۱ و ۲)، راه‌سازی و روسازی راه):

۱۰۶- برای اتصال نشان داده شده در شکل، کدام‌یک از پیچ‌ها از لحاظ تنش بحرانی‌تر هستند؟ (قطر و مشخصات

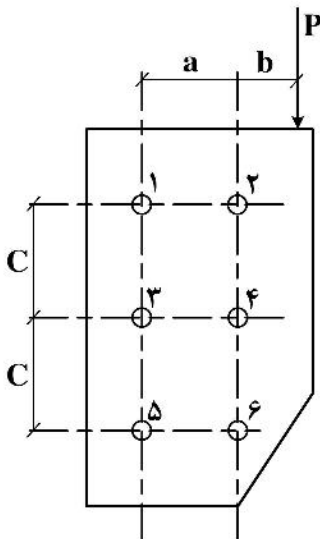
مکانیکی تمامی پیچ‌ها یکسان است.)

(۱) ۱ و ۵

(۲) ۲ و ۶

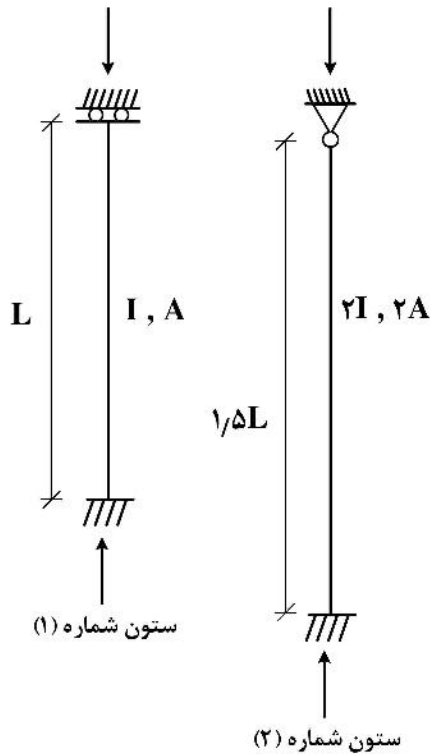
(۳) ۶

(۴) به ابعاد  $a, b$  و  $c$  بستگی دارد.





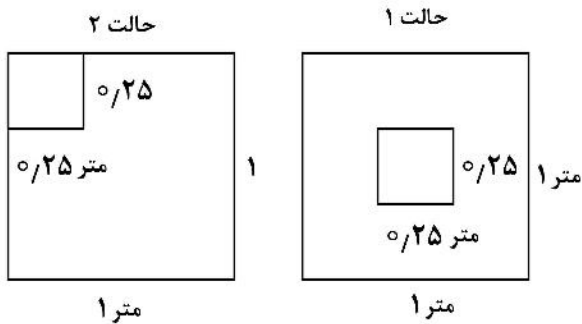
۱۰۷- دو ستون فولادی با شرایط تکیه‌گاهی ایدئال مطابق شکل را در نظر بگیرید. مهار جانبی فقط در محل تکیه‌گاه‌ها وجود دارد. ضریب لاغری پیشنهادی برای طراحی براساس مبحث دهم مقررات ملی ساختمان برای ستون شماره (۲) حدوداً



چند برابر ستون شماره (۱) است؟

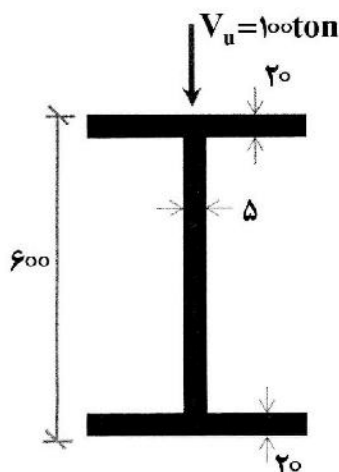
- (۱) ۱
- (۲) ۱/۵
- (۳) ۰/۵
- (۴) ۱/۲

۱۰۸- نسبت مقاومت اتکایی در کف ستون‌های فولادی بر روی پی بتنی در حالت ۱ (کف ستون در مرکز) به حالت ۲ (کف ستون در گوشه) چقدر است؟



- (۱)  $\sqrt{2}$
- (۲) ۴
- (۳) ۱
- (۴) ۲

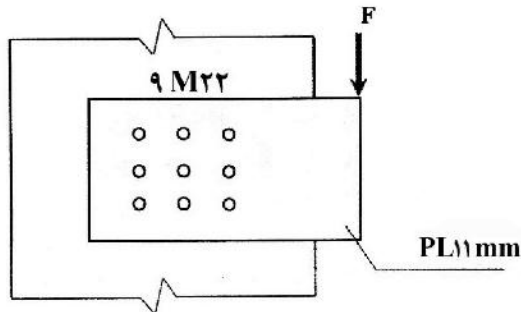
۱۰۹- به تیر ورق نشان داده شده نیروی برشی ضریب‌دار  $100\text{ ton}$  اعمال شده است. کدام عبارت درست است؟



(ST ۲۷) (ابعاد بر حسب میلی‌متر است).

- (۱) ضخامت بال‌های تیر ورق باید افزایش یابد.
- (۲) سخت‌کننده عرضی نیاز است.
- (۳) ضخامت جان تیر ورق باید افزایش یابد.
- (۴) نیاز به تقویت نیست.

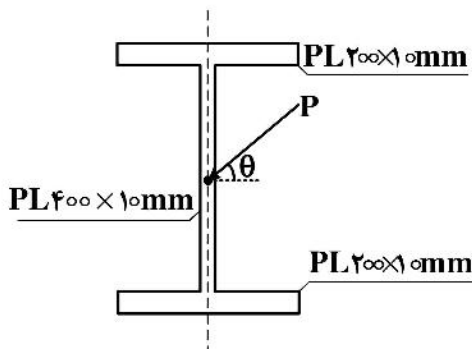
۱۱۰- بال یک ستون IPB به ضخامت ۲ cm به ورقی به ضخامت ۱/۱ cm متصل شده است اگر تنش برشی ایجاد شده در پیچ بحرانی  $\frac{400 \text{ kg}}{\pi \text{ cm}^2}$  باشد، حداکثر تنش لهیدگی ایجاد شده بر حسب کیلوگرم بر سانتی‌مترمربع در این اتصال کدام است؟



کدام است؟

- ۲۰۰ (۱)
- ۱۰۰ (۲)
- ۲۲۰ (۳)
- ۱۱۰ (۴)

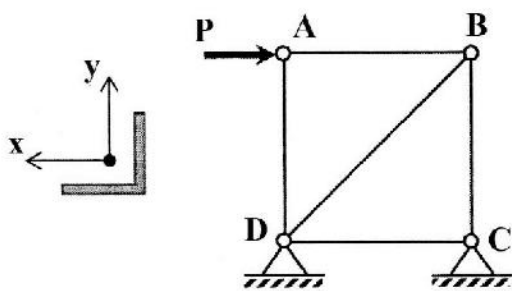
۱۱۱- برای ساخت تیر فولادی با تکیه‌گاه‌های ساده از تیر ورق با مشخصات نشان داده شده در شکل استفاده شده است. با ملاحظه اثر وزن این تیر تحت بار متمرکز ضریب دار P با زاویه  $\theta$  نسبت به محور افق قرار دارد. از کمانش جانبی این تیر ممانعت به عمل آمده است. حداقل مقدار  $\theta$  برای آنکه نسبت مقاومت خمشی مورد نیاز به مقاومت خمشی طراحی در هر دو جهت مقطع یکسان باشد، چقدر است؟



- $\tan^{-1}(3/78)$  (۱)
- $\tan^{-1}(5/81)$  (۲)
- $\tan^{-1}(6/24)$  (۳)
- $\tan^{-1}(4/45)$  (۴)

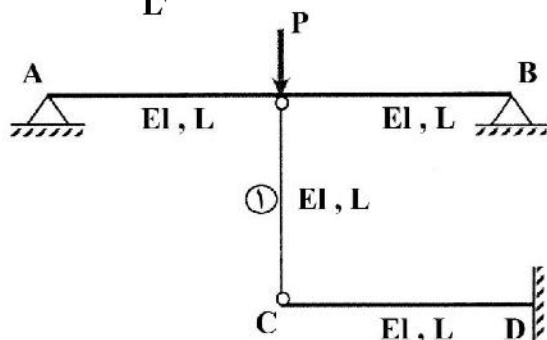
۱۱۲- در سازه خرابایی نشان داده شده حداکثر طول عضو مورب با مقطع نبشی دو ساق مساوی نشان داده شده تقریباً چند متر باشد تا از نظر لاغری جوابگو باشد؟

$I_x = I_y = 300 \text{ cm}^4$  ,  $I_{xy} = 120 \text{ cm}^4$  ,  $A = 60 \text{ cm}^2$



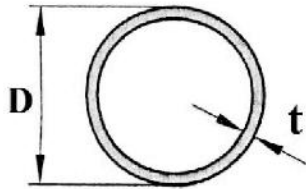
- ۴ (۱)
- ۶ (۲)
- ۳ (۳)
- ۵ (۴)

۱۱۳- در قاب نمایش داده شده مقدار بار بحرانی  $P_{cr}$  برای کمانش الاستیک میله (۱) چه ضربی از  $\frac{\pi^2 EI}{L^2}$  است؟



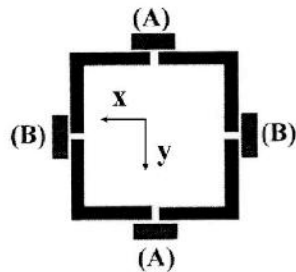
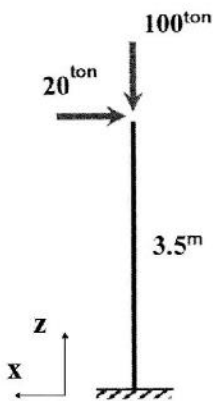
- ۳ (۱)
- ۹ (۲)
- ۱ (۳)
- ۵ (۴)

۱۱۴- یک عضو خمشی با مقطع دایره‌ای توخالی تحت اثر نیروی برشی  $V$  قرار دارد. حداکثر تنش برشی ایجاد شده در مقطع حدوداً چند برابر تنش برشی متوسط است؟ (مقطع به صورت جدار نازک فرض شود).



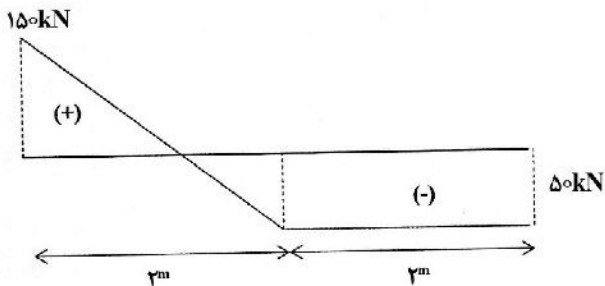
- (۱) ۳
- (۲)  $\frac{4}{3}$
- (۳) ۲
- (۴)  $\frac{3}{2}$

۱۱۵- اگر در ستون مرکب ساخته شده از ۴ نبشی دو ساق مساوی، فاصله بست‌های موازی آن در طول ستون یکسان باشد، نسبت لنگر طراحی بست‌های (A) به لنگر طراحی بست‌های (B) کدام است؟



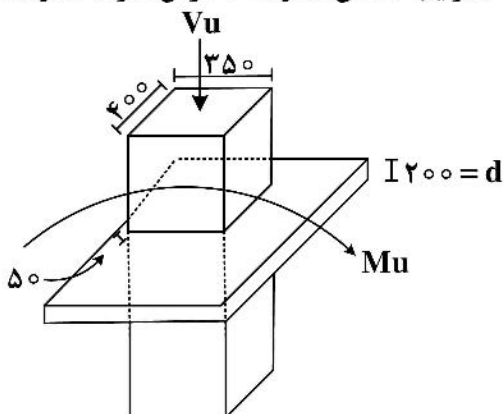
- (۱) ۲۲
- (۲) ۱۱
- (۳) ۵
- (۴) ۱

۱۱۶- نمودار نیروی برشی ضریب‌دار یک تیر بتن آرمه ( $V_u$ ) با مقطع مستطیلی مطابق شکل است. اگر مقاومت کاهش‌یافته بتن برابر با  $50 \text{ kN}$  باشد، حدوداً چند درصد از طول این تیر نیازی به حداقل فولاد عرضی ندارد؟



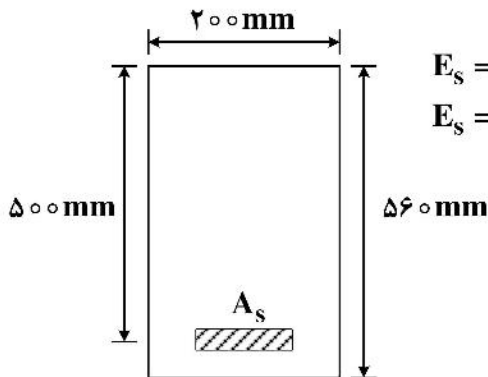
- (۱)  $12/5$
- (۲) ۴۰
- (۳)  $6/5$
- (۴) ۲۵

۱۱۷- در اتصال دال - ستون شکل زیر، با فرض اینکه حداکثر تنش برشی ایجاد شده به دلیل لنگر نامتعادل ۱ مگاپاسکال باشد، حداکثر برش قابل انتقال ( $V_u$ ) در اتصال چند  $\text{kN}$  است؟ (ضرایب کاهش مقاومت ۱ فرض شود) مقاومت مشخصه بتن ۳۶ مگاپاسکال در نظر گرفته شود.



- (۱) ۶۰۰
- (۲) ۲۰۰
- (۳) ۸۰۰
- (۴) ۴۰۰

۱۱۸- مقطع نشان داده شده در شکل زیر تحت لنگر خمشی  $144 \text{ kN.m}$  قرار گرفته است. با فرض توزیع تنش خطی در بتن مقدار تنش در دورترین تار فشاری چند مگاپاسکال است؟ (روش تنش‌های مجاز) (فرض کنید در این حالت عمق تار خنثی برابر  $300$  میلی‌متر خواهد بود.)



$E_s = 200 \text{ GPa}$  ,  $f'_c = 25 \text{ MPa}$

$E_s = 25 \text{ GPa}$  ,  $f_y = 400 \text{ MPa}$

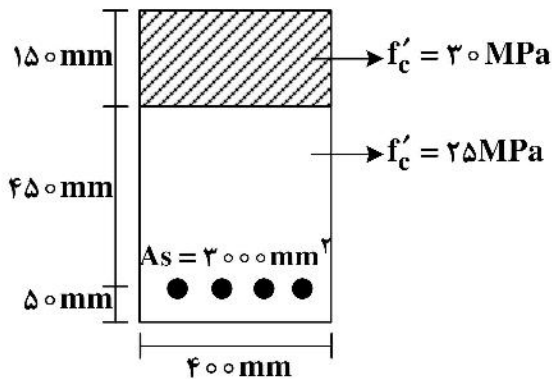
۱۲ (۱)

۸ (۲)

۱۵ (۳)

۱۰ (۴)

۱۱۹- مقطع بتن آرمه با ابعاد  $500 \times 400 \text{ mm}^2$  موجود است. برای تقویت خمشی این مقطع بتن با ضخامت  $150 \text{ mm}$  و با مقاومت فشاری  $f'_c = 30 \text{ MPa}$  در قسمت بالای آن اضافه شده است. نسبت مقاومت خمشی اسمی مقطع ( $M_n$ ) در حالت تقویت شده به حالت تقویت نشده تقریباً کدام است؟ ( $f_y = 400 \text{ MPa}$ ) (کلید ضرائب ایمنی جزئی برابر ۱ و ضریب بلوک تنش نیز برابر  $\beta = 1$  در نظر گرفته شود.)



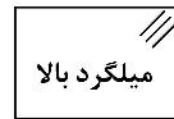
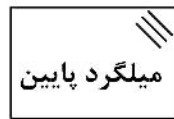
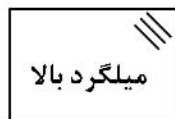
۱/۲ (۱)

۱/۴ (۲)

۱/۱ (۳)

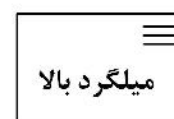
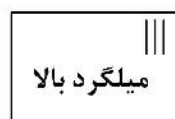
۱/۳ (۴)

۱۲۰- در یک دال دوطرفه متکی بر تیرهای محیطی برای تأمین مقاومت در مقابل لنگرهای خمشی ایجاد شده ناشی از اثر گوشه، نحوه صحیح چیدن میلگردها کدام است؟



(۲)

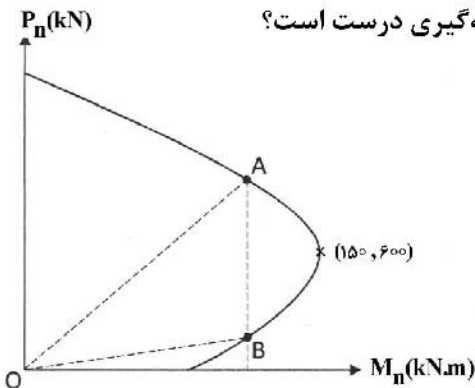
(۱)



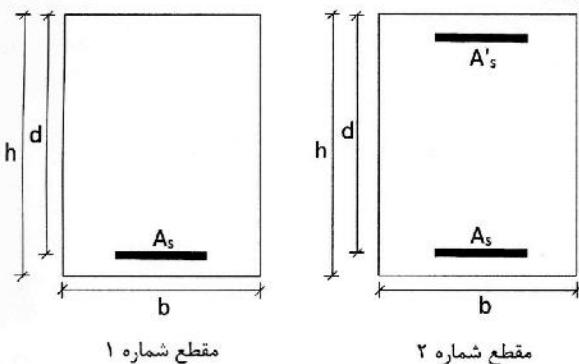
(۴)

(۳)

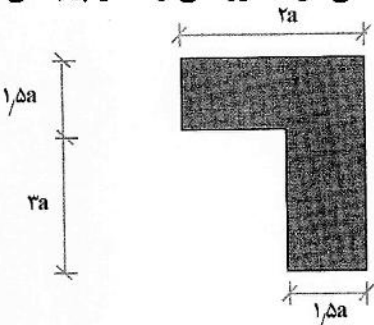
۱۲۱- دو نقطه A و B در منحنی اندرکنش نیروی محوری و لنگر خمشی یک ستون بتن مسلح با بتن رده C25 و فولاد رده S400 خارج از ناحیه انتقال (کشش به فشار) را مطابق شکل در نظر بگیرید. ظرفیت خمشی و فشاری مقطع در حالت متوازن به ترتیب  $150 \text{ kN.m}$  و  $600 \text{ kN}$  هستند. کدام نتیجه گیری درست است؟



- (۱) خروج از مرکزیت متناظر با نقطه A می تواند حدود  $0.3$  متر باشد.
  - (۲) کرنش فولاد در لحظه گسیختگی نهائی ستون متناظر با نقطه A می تواند حدود  $0.25 \times 10^{-3}$  باشد.
  - (۳) شیب خط واصل از مبدأ O به نقطه B می تواند حدود  $3$  باشد.
  - (۴) فاصله تار خنثی مقطع ستون تا دورترین تار فشاری در نقطه B بیشتر از نقطه A است.
- ۱۲۲- یک تیر بتن مسلح تحت لنگر خمشی مثبت قرار دارد (تار پایین در کشش). کدام گزینه در ارزیابی استفاده از دو مقطع نشان داده شده در شکل زیر برای این تیر نادرست است؟



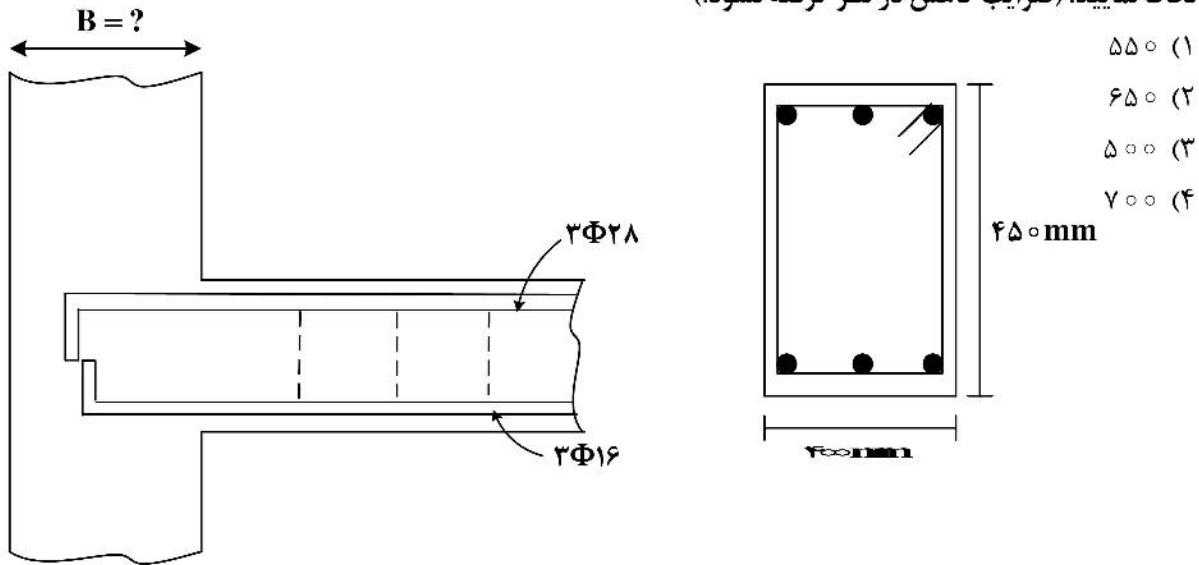
- (۱) مقاومت برشی تیر در صورت استفاده از هر دو مقطع تفاوت قابل ملاحظه ای نخواهد داشت.
  - (۲) سطح مقطع آرماتورهای فولادی در حالت متوازن در مقطع شماره ۲ حداقل به مقدار  $A'_s$  نسبت به مقدار متناظر در مقطع شماره ۱ بیشتر است.
  - (۳) شعاع انحنای تیر در صورت استفاده از مقطع شماره ۲ نسبت به مقطع شماره ۱ کمتر خواهد بود.
  - (۴) خیز بیشینه تیر ناشی از خزش در صورت استفاده از مقطع شماره ۲ نسبت به مقطع شماره ۱ کمتر خواهد بود.
- ۱۲۳- در مقطع نشان داده شده که مربوط به یک تیر کناری بتنی است با ایجاد یک بازشو مربعی به ابعاد  $a \times a$  در وسط مقطع، (با فرض رعایت ضخامت حداقل بین بازشو و محیط خارجی) لنگر پیچشی ترک خوردگی و لنگر پیچشی



آستانه به ترتیب چگونه تغییر می کند؟

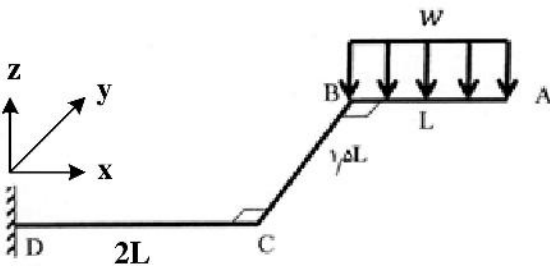
- (۱) هر دو ۲۵ درصد کاهش
- (۲) ۲۵ درصد کاهش، بدون تغییر
- (۳) بدون تغییر، بدون تغییر
- (۴) بدون تغییر، ۲۵ درصد کاهش

۱۲۴- حداقل بعد ستون در اتصال زیر جهت تأمین ظرفیت لنگری کامل تیر (منفی) چند میلی‌متر است؟ (ملاحظات اجرایی لحاظ گردد) مقاومت مشخصه بتن و فولاد به ترتیب ۲۵ و ۴۰۰ مگاپاسکال و حداقل پوشش بتن ستون را ۴۵ میلی‌متر لحاظ نمایید. (ضریب کاهش در نظر گرفته نشود).



- ۵۵۰ (۱)
- ۶۵۰ (۲)
- ۵۰۰ (۳)
- ۷۰۰ (۴)

۱۲۵- در سازه زیر مقاومت برشی تأمین شده اسمی توسط بتن ( $V_c$ ) برابر با  $60L$  و مقاومت پیچشی ترک‌خوردگی اسمی ( $T_{cr}$ ) آن برابر با  $150L^2$  است، حداکثر شدت  $W$  چقدر باشد تا تیر DC نیازی به هیچ‌گونه آرماتور عرضی محاسباتی نداشته باشد؟ (از اندرکنش برش و پیچش صرف‌نظر شود. ضریب کاهش مقاومت یک در نظر گرفته شود) (تیر نشان داده شده در صفحه  $x-y$  است).



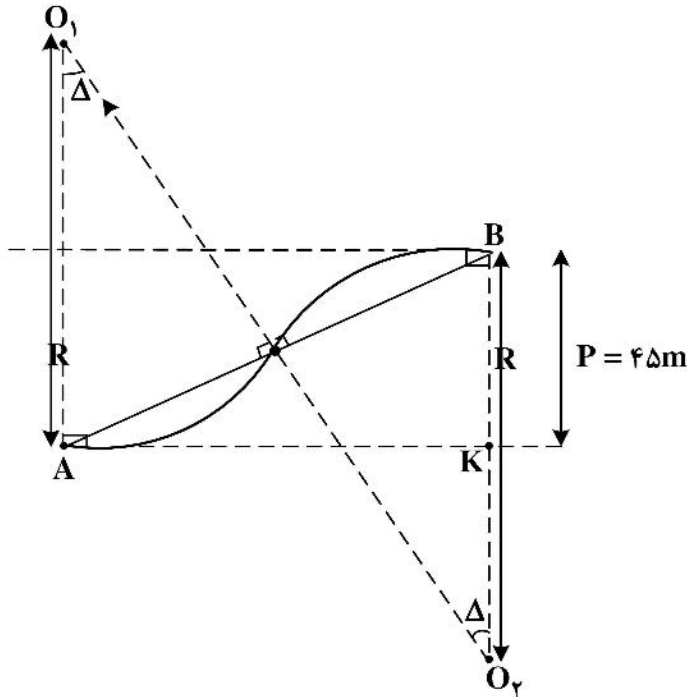
- ۲۵ (۱)
- ۳۵ (۲)
- ۲۰ (۳)
- ۳۰ (۴)

۱۲۶- اگر مماس خروجی یک قوس دایره‌ای به شعاع ۵۰۰ متر و زاویه تقاطع ۶۰ درجه، به اندازه ۷۰ متر به موازات خود از نقطه شروع دور شود و نقطه شروع ثابت بماند، شعاع قوس جدید چند متر است؟

$$R' = R \pm \frac{P}{1 - \cos \Delta}$$

- ۶۴۰ (۱)
- ۳۶۰ (۲)
- ۹۶۰ (۳)
- ۴۶۰ (۴)

۱۲۷- در طراحی یک راه از قوس مرکب معکوس استفاده شده است. شعاع هر دو قوس ۲۰۰ متر و فاصله عرضی دو مسیر مستقیم که توسط این دو قوس به هم وصل می‌شوند ۴۵ متر است. اگر طول وتر بزرگ ۹۰ متر باشد، طول مماس مشترک این ۲ قوس چند متر خواهد بود؟

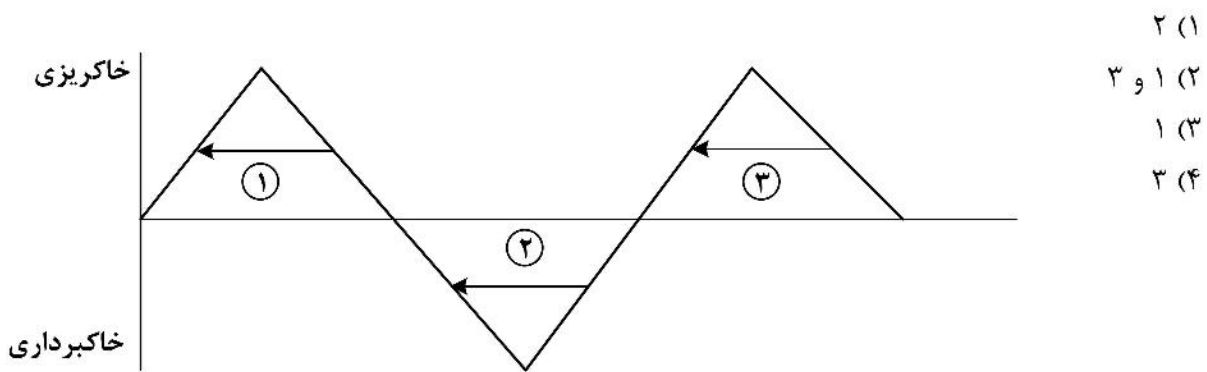


- (۱)  $\frac{400\sqrt{3}}{2}$
- (۲)  $400\sqrt{3}$
- (۳)  $\frac{400\sqrt{3}}{3}$
- (۴) ۴۰۰

۱۲۸- در طراحی مسیر و مسیریابی، کدام تعریف صحیح و کامل از پروفیل طولی راه است؟

- (۱) تصویر امتداد مسیر بر روی سطح افقی، که شامل خطوط مستقیم و قوس‌های افقی است.
- (۲) نمایش تصویر ابتدا تا انتهای مسیر بر روی صفحه قائم بر محور طولی راه، که دو خط زمین طبیعی و پروژه بر روی آن نمایش داده می‌شود.
- (۳) وضعیت ارتفاعی سطح تمام‌شده محور راه را پس از ساخت نشان می‌دهد.
- (۴) مقطع یا برشی جانبی از بدنه راه را می‌گویند، که ارتفاع خط پروژه و خط زمین طبیعی در امتداد عمود بر محور مسیر نشان می‌دهد.

۱۲۹- در شکل زیر، کدام جهت حمل خاک شماره‌گذاری شده بر روی منحنی بروکنر نادرست است؟

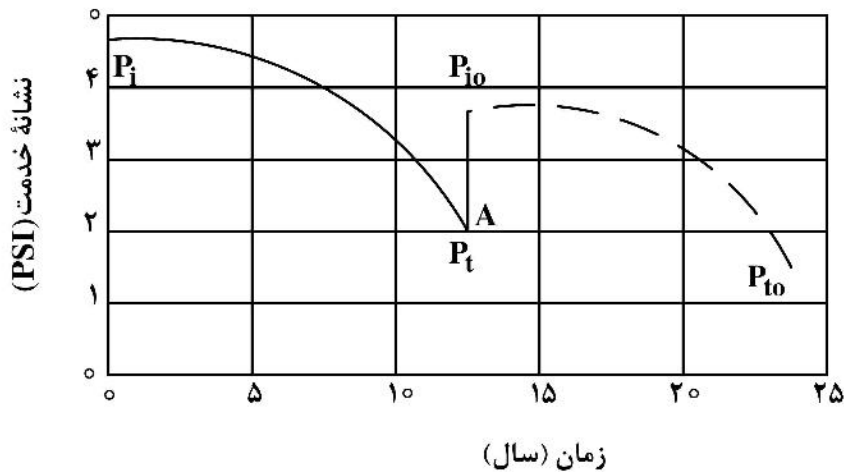


- (۱) ۲
- (۲) ۱ و ۳
- (۳) ۱
- (۴) ۳

۱۳۰- یک مقطع مختلط از چپ به راست به ترتیب ۶۰ مترمربع خاکریزی و ۲۰ مترمربع خاکبرداری دارد. مقطع مختلط دوم نیز از چپ به راست به ترتیب ۳۰ مترمربع خاکبرداری و ۴۰ مترمربع خاکریزی دارد. اگر فاصله بین دو مقطع ۳۰ متر باشد، حجم خاکبرداری بین دو مقطع چند مترمکعب است؟

- (۱) ۱۵۰
- (۲) ۵۰۰
- (۳) ۱۰۰
- (۴) ۲۵۰

۱۳۱- در نمودار تغییرات نشانه خدمت روسازی بر حسب زمان، در نقطه A چه اتفاقی رخ داده است؟



- (۱) اتفاق افتادن خرابی ناگهانی در روسازی، البته در این حالت کیفیت روسازی از کیفیت اولیه پایین تر است.
- (۲) روکش شدن روسازی و افزایش نشانه خدمت و کیفیت روسازی، البته در این حالت کیفیت روسازی از کیفیت اولیه بیشتر است.
- (۳) افزایش خرابی روسازی به دلیل عوامل جوی و محیطی، که باعث کاهش کیفیت روسازی نسبت به کیفیت اولیه می شود.
- (۴) روکش شدن روسازی و افزایش نشانه خدمت و کیفیت روسازی، البته در این حالت کیفیت روسازی از کیفیت اولیه کمتر است.

۱۳۲- در مورد قیر CSS-1h کدام گزینه نادرست است؟

- (۱) قیرابه دیرشکن (پایدار) است.
- (۲) درصد وزنی قیر خالص در این قیرابه (قیرامولسیون) زیاد است.
- (۳) یک نوع قیرابه کاتیونی است.
- (۴) قیر خالص به کار رفته در این قیرابه (قیرامولسیون)، معمولاً درجه نفوذ کمی دارد.

۱۳۳- در خصوص تثبیت خاکها در روسازی کدام مورد درست است؟

- (۱) اختلاط خاک با آهک باعث افزایش مقاومت خاک و یا کاهش حد روانی و دانه خمیری می شود.
- (۲) مقدار قیر مناسب برای تثبیت خاکهای شنی بر اساس نتایج آزمایش CBR و هوباردفیلد مشخص می شود.
- (۳) همه خاکها قابل تثبیت با سیمان هستند.
- (۴) معمولاً برای تثبیت خاکهای ریز دانه خمیری از قیرهای امولسیونی استفاده می شود.



۱۳۴- کدامیک از موارد زیر در مورد خصوصیات وزنی - حجمی بتن آسفالتی نادرست است؟

- ۱) درصد فضای خالی مصالح سنگی (VMA) با افزایش درصد قیر ابتدا کاهش و سپس افزایش می‌یابد.
- ۲) روانی بتن آسفالتی با افزایش درصد قیر افزایش می‌یابد.
- ۳) درصد فضای خالی مصالح سنگی (VMA) با افزایش درصد قیر ابتدا افزایش و سپس کاهش می‌یابد.
- ۴) درصد فضای خالی در بتن آسفالتی با افزایش درصد قیر کاهش می‌یابد.

۱۳۵- با توجه به مقادیر ضریب قشر داده‌شده برای لایه‌های آسفالت، اساس و زیر اساس و عدد ضخامت (SN) به دست آمده از طراحی روسازی آسفالتی به روش AASHTO (آشتو) کدامیک از ساختارهای لایه‌ای روسازی درست است؟  
(SN = ۵)

$a_1 = 0.42$  ضریب قشر لایه آسفالت

$a_2 = 0.17$  ضریب قشر لایه اساس

$a_3 = 0.12$  ضریب قشر لایه زیر اساس

- ۱) لایه آسفالتی با ضخامت ۱۸ و لایه اساس با ضخامت ۲۵ سانتی‌متر
- ۲) لایه آسفالتی با ضخامت ۱۵، لایه اساس با ضخامت ۲۰ و لایه زیر اساس با ضخامت ۲۵ سانتی‌متر
- ۳) لایه تمام آسفالتی با ضخامت ۲۵ سانتی‌متر
- ۴) لایه آسفالتی با ضخامت ۱۵، لایه اساس با ضخامت ۲۰ و لایه زیر اساس با ضخامت ۲۰ سانتی‌متر





