

کد کنترل

749

F



749F

آزمون ورودی دوره‌های کارشناسی ارشد ناپیوسته داخل - سال ۱۴۰۲



جمهوری اسلامی ایران
وزارت علوم، تحقیقات و فناوری
سازمان سنجش آموزش کشور

عصر پنج‌شنبه
۱۴۰۱/۱۲/۱۱

«اگر دانشگاه اصلاح شود
مملکت اصلاح می‌شود.»
امام خمینی (ره)

مهندسی ایمنی، بهداشت و محیط‌زیست (HSE) (کد ۱۲۹۳)

زمان پاسخ‌گویی: ۱۸۵ دقیقه

تعداد سؤال: ۱۲۰

عنوان مواد امتحانی، تعداد و شماره سؤالات

ردیف	مواد امتحانی	تعداد سؤال	از شماره	تا شماره
۱	زبان عمومی و تخصصی (انگلیسی)	۲۵	۱	۲۵
۲	ریاضی ۱	۱۵	۲۶	۴۰
۳	آمار و احتمالات مهندسی	۱۵	۴۱	۵۵
۴	استاتیک	۲۰	۵۶	۷۵
۵	مهندسی آب و فاضلاب	۲۵	۷۶	۱۰۰
۶	مهندسی محیط‌زیست	۲۰	۱۰۱	۱۲۰

این آزمون نمره منفی دارد.

استفاده از ماشین حساب مجاز نیست.

حق چاپ، تکثیر و انتشار سؤالات به هر روش (الکترونیکی و...) پس از برگزاری آزمون، برای تمامی اشخاص حقیقی و حقوقی تنها با مجوز این سازمان مجاز می‌باشد و یا متخلفین برابر مقررات رفتار می‌شود.

* داوطلب گرامی، عدم درج مشخصات و امضا در مندرجات جدول زیر، به منزله عدم حضور شما در جلسه آزمون است.

اینجانب با شماره داوطلبی با آگاهی کامل، یکسان بودن شماره سندلی خود با شماره داوطلبی مندرج در بالای کارت ورود به جلسه، بالای پاسخنامه و دفترچه سؤالات، نوع و کد کنترل درج شده بر روی جلد دفترچه سؤالات و پایین پاسخنامه‌ام را تأیید می‌نمایم.

امضا:

زبان عمومی و تخصصی (انگلیسی):

PART A: Vocabulary

Directions: Choose the word or phrase (1), (2), (3), or (4) that best completes each sentence. Then mark the answer on your answer sheet.

- 1- When you ----- a meeting, it is important to speak clearly, confidently and at a good pace.
1) assess 2) propagate 3) address 4) impress
- 2- People like the newly proposed system, but because of the costs involved we do not believe it is -----, and we need to look for other options.
1) compliant 2) defensive 3) ingenuous 4) viable
- 3- The country in question is very poor, and one in seven children dies in -----.
1) infancy 2) nutrition 3) malfunction 4) mortality
- 4- I don't consider myself to be particularly -----, but when I'm given a job, I make sure it gets done.
1) industrious 2) spontaneous 3) risky 4) unexceptional
- 5- The new airliner is more environmentally-friendly than other aircraft, its only ----- being its limited flying range.
1) demand 2) drawback 3) controversy 4) attribute
- 6- The celebrity will ----- assistance from the police to keep stalkers away from his property.
1) extend 2) invoke 3) absolve 4) withdraw
- 7- When plates in the Earth's crust slide or grind against one another, an earthquake with devastating consequences may be -----.
1) derived 2) surpassed 3) triggered 4) traced

PART B: Cloze Test

Directions: Read the following passage and decide which choice (1), (2), (3), or (4) best fits each space. Then mark the correct choice on your answer sheet.

The new species was named Maiacetus inuus, which means "mother whale," (8) ----- in the family Protocetidae. Assignment to a new species was justified due to critical differences from other protocetid whales, such as solidly co-ossified left and right dentaries (lower jaws), (9) ----- in the ankle, and significant disparity in hind

limb elements. The fossils show (10) ----- this new species' length is unimpressive relative to some extant (living) whales, but still, *Maiacetus inuus* measures a respectable 2.6 meters.

- 8- 1) placed 2) that placed 3) was placed 4) and was placed
 9- 1) there were variations 2) varying
 3) variations 4) which varied
 10- 1) when 2) that 3) although 4) for

PART C: Reading Comprehension

Directions: Read the following three passages and answer the questions by choosing the best choice (1), (2), (3), or (4). Then mark the correct choice on your answer sheet.

PASSAGE 1:

Arsenic occurs naturally in the environment as an element of the earth's crust. Arsenic is combined with other elements such as oxygen, chlorine, and sulfur to form inorganic arsenic compounds. Exposure to higher-than-average levels of arsenic occurs mainly in workplaces, near or in hazardous waste sites, and areas with high levels naturally occurring in soil, rocks, and water.

Arsenic is used in many industries. It is used in some paints, wood preservatives, agricultural chemicals, and in glass manufacturing. Some examples of workers at risk of being exposed to arsenic include: agricultural or farm workers exposed to some farming chemicals, employees involved in glass manufacturing, construction and mine workers exposed to arsenic-containing soil, recyclers exposed to electronic or e-waste, workers who perform nonferrous smelting—a process to extract metal from ore.

Arsenic exposure in the workplace occurs through inhalation, ingestion, dermal or eye contact. Chronic exposure to arsenic leads to distinct skin diseases, such as arsenical keratinosis, which is characterized by excessive formation of scaly skin on the palms and soles; darkened patches of skin; wart formation; skin lesions; acne; and increased risk of skin cancers. Chronic arsenic poisoning can also cause sudden constriction in arteries or veins, reducing blood flow; decreased nerve function; lung, liver, kidney and bladder, and other cancers. Acute exposures can cause lung distress and death. Industries that use inorganic arsenic and its compounds, where sampling may be necessary, include wood preservation, glass production, nonferrous metal alloys, electronic semiconductor manufacturing, and smelter emissions. Arsenic and its compounds occur in crystalline, powder, **amorphous**, or vitreous forms. National Institute for Occupational Safety and Health (NIOSH) publications Provide a physical description, exposure limits, measurement method, personal protection and sanitation, first aid, respirator recommendations, exposure routes, symptoms, target organs, and cancer sites.

- 11- **It can be inferred from paragraph 2 that -----.**
 1) Use of arsenical pesticides and chemicals by farmers can be the main cause of their exposure
 2) Arsenic compounds are used in glasses manufacturing
 3) Farmhands are exposed to arsenic through soil
 4) Gangue removal in iron ore can release arsenic

- 12- According to paragraph 3, chronic exposure to arsenic lead to -----.
- 1) ocular Lesions
 - 2) sudden dilation in vessels
 - 3) formation of flaky skin in hands and feet
 - 4) increased risk of lung, liver and bladder distress
- 13- The passage indicates that all of the followings are common routs of exposure to arsenic EXCEPT
- 1) Breathing
 - 2) Injection
 - 3) Swallowing
 - 4) Skin contact
- 14- The word “amorphous” in last paragraph could best replace by -----.
- 1) porous
 - 2) odorless
 - 3) formless
 - 4) colorless
- 15- It is NOT true according to the passage that arsenic -----.
- 1) can be measured using the methods developed by OSHA
 - 2) and its compounds have glassy form
 - 3) occurs naturally in soil, air and water
 - 4) is used in rubber and plastic

PASSAGE 2:

In the late 1980s, a disaster involving the Exxon Valdez, an oil tanker tasked with transporting oil from southern Alaska to the West Coast of the United States, caused a considerable amount of damage to the environment of Alaska. Crude oil from Alaska's North Slope fields near Prudhoe Bay on the north coast of Alaska is carried by pipeline to the port of Valdez on the southern coast, and from there is shipped by tanker to the West Coast. On March 24, 1989, the Exxon Valdez, a huge oil tanker more than three football fields in length, went off course in a 16- kilometer-wide channel in Prince William Sound near Valdez, Alaska, hitting submerged rocks and causing a tremendous oil spill. The resulting oil slick spread rapidly and coated more than 1,600 kilometers (1,000 miles) of coastline. Though actual numbers can never be known, it is believed that at least a half million birds, thousands of seals and otters, quite a few whales, and an untold number of fish were killed as a result.

Decades before this disaster, environmentalists had predicted just such an enormous oil spill in this area because of the treacherous nature of the waters due to the submerged reefs, icebergs, and violent storms there. They had urged that oil be transported to the continental United States by land-based pipeline rather than by oil tanker or by undersea pipeline to reduce the potential damage to the environment posed by the threat of an oil spill. Alyeska, a **consortium** of the seven oil companies working in Alaska's North Slope fields, argued against such a land-based pipeline on the basis of the length of time that such a pipeline would take to construct and on the belief, or perhaps **wishful thinking**, that the probability of a tanker spill in the area was extremely low.

A step that could possibly have prevented the accident even though the tanker did run into submerged rocks would have been a double hull on the tanker. Today, almost all merchant ships have doubled hulls, but only a small percentage of oil tankers do. Legislation passed since the spill requires all new tankers to be built with double hulls, but many older tankers have received dispensations to avoid the \$25 million cost per tanker to convert a single hulled tanker to one with a double hull. However, compared with the \$8.5 billion cost of the Exxon Valdez catastrophe, it is a comparatively **paltry** sum.

- 16- **What is stated in paragraph 1 about the oil industry in Alaska?**
 1) The oil fields are in the southern part of Alaska.
 2) Oil is carried from the oil fields to Valdez by tanker.
 3) Oil arrives in Valdez by pipeline and departs by ship.
 4) Oil is transported from Valdez to the U.S. mainland through a pipeline.
- 17- **Which point is NOT made by the environmentalists mentioned in paragraph 2?**
 1) That a huge oil spill in the waters off Alaska was possible.
 2) That oil tankers should not be used to transport from Alaska.
 3) That the waters off the coast of Alaska were dangerous for ships.
 4) That an undersea pipeline was preferable to a land-based pipeline.
- 18- **The author uses the expression “wishful thinking” in paragraph 2 in order to -----**
 1) emphasize the idea that the belief was misguided.
 2) emphasize the desire that the pipeline would be build.
 3) emphasize the wish that a lot of oil would be discovered.
 4) emphasize the hope that an oil spill could be cleaned up quickly.
- 19- **In paragraph 2, “a consortium” is most likely -----.**
 1) a contract 2) a leader 3) a board 4) an association
- 20- **The word “platry” in paragraph 3 is closest in meaning to -----.**
 1) unbelievable 2) insignificant 3) inaccurate 4) enormous

PASSAGE 3:

EPA **partners** with more than 50 data contributors from various government agencies, academic institutions, and other U.S and international organizations to compile a key set of indicators related to the causes and effects of climate change. Some indicators show trends that can be more directly linked to human-induced climate change than others. Collectively, the trends depicted in these indicators provide important evidence of “what climate change looks like.” Although each indicator has a connection to climate change, EPA’s indicators do not attempt to identify either the extent to which a certain indicator is driving climate change, or the relative role of climate change in causing a trend in an observed indicator. Connections between human activities, climate change, and observed indicators are explored in more detail elsewhere in the scientific literature. Some of the indicators are directly linked to human activities that cause climate change, such as Global Greenhouse Gas Emissions. Changes depicted by other indicators, like U.S. and Global Temperature, have been confidently linked with the increase in greenhouse gases caused by human activity. Some of the trends in other indicators, such as Wildfires, are consistent with what one would expect in a warming climate but may also be influenced by limitations in the historical data or other factors in addition to climate change. A few indicators, like West Nile Virus, though known to be influenced by climate change, do not yet show any significant trend. In some cases, this could be because the period for which data are available or the geographic scale in which they are presented is limited. EPA’s greenhouse-gas-related indicators focus on most of the major, well-mixed greenhouse gases that contribute to the vast majority of warming of the climate when they are emitted into the atmosphere. These major gases are carbon dioxide, methane, nitrous oxide, and fluorinated gases. Some of these gases are produced almost entirely by human activities, while others come from a combination of natural sources and human activities.

Many of these major greenhouse gases remain in the atmosphere for tens to thousands of years after being released. They become globally mixed in the lower part of the atmosphere, called the troposphere (the first several miles above the Earth's surface), reflecting the combined emissions worldwide from the past and present. Due to this global mixing, concentrations of these gases are fairly similar no matter where in the world they are measured. Other substances that have much shorter atmospheric lifetimes (i.e., less than a year) are still relevant to climate change. Important short-lived substances that affect the climate include water vapor, ozone in the troposphere, pollutants that lead to ozone formation, and aerosols (atmospheric particles) such as black carbon and sulfates. Water vapor, tropospheric ozone, and black carbon contribute to warming, while other aerosols produce a cooling effect.

- 21- The word "partner" in line 1 is closest in meaning to -----.
- 1) attendant 2) help 3) colleague 4) participate
- 22- It is stated in the passage that the indicators -----.
- 1) are linked to climate change
2) are just related to the impact of climate change
3) try to identify the extent to which an indicator is driving climate change
4) show relative role of climate change in causing a trend in an observed indicator
- 23- According to the passage, West Nile Virus indicator -----.
- 1) is a fatal disease 2) can cause climate change
3) is related to human activity 4) Will be influenced by climate change
- 24- It can be inferred from paragraph 2 that -----.
- 1) greenhouse gases become mixed in stratosphere
2) except black carbon, other aerosols have a cool effect on climate
3) concentration of greenhouse gases in Europe is much higher than in Asia
4) ozone can remain in lower part of the atmosphere for tens to thousands of years
- 25- According to the passage, which gas has an atmospheric lifetime less than a year?
- 1) Ozone 2) Methane 3) Carbon black 4) Nitrous oxide

ریاضی ۱:

۲۶- حاصل $\left[\sin^{-1}\left(-\frac{3}{4}\right) \right]$ ، کدام است؟

(۱) $-4\sqrt{7}$

(۲) $-\frac{7}{4}$

(۳) $\frac{7}{3}$

(۴) $\frac{4\sqrt{7}}{7}$

۲۷- اگر $\lim_{x \rightarrow \frac{1}{2}} \frac{f(x) - \frac{\pi}{4}}{x - \frac{1}{2}} = \alpha$ و $f(x) = \sin^{-1}(g(x))$ و $f(\frac{1}{2}) = \frac{\pi}{4}$ باشد، مقدار $g'(\frac{1}{2})$ کدام است؟

(۱) $\frac{\alpha}{2}$

(۲) $\frac{\sqrt{2}}{2}\alpha$

(۳) $\frac{\sqrt{3}}{2}\alpha$

(۴) 2α

۲۸- مقدار $\lim_{(x,y) \rightarrow (0,0)} \frac{ye^{-\frac{1}{x^2}}}{y^2 + e^{-\frac{2}{x^2}}}$ روی خم $y = 2e^{-\frac{1}{x^2}}$ کدام است؟

(۱) صفر

(۲) $\frac{2}{5}$

(۳) e^5

(۴) ∞

۲۹- تغییرات تابع $y = \ln(\cos x)$ نسبت به $\sin x$ کدام است؟

(۱) $-\operatorname{tg}x \sec x$

(۲) $\operatorname{tg}x \sec x$

(۳) $\sec x$

(۴) $-\sec x$

۳۰- حاصل انتگرال $\int \frac{dx}{x^2 \sqrt{1+x^2}}$ کدام است؟

(۱) $\operatorname{csc}(\cot^{-1}x) + C$

(۲) $\sec(\cot^{-1}x) + C$

(۳) $-\sec(\operatorname{tg}^{-1}x) + C$

(۴) $-\operatorname{csc}(\operatorname{tg}^{-1}x) + C$

۳۱- حاصل $\int_0^{10} \left(x - \left[\frac{x}{3} \right] \right) dx$ کدام است؟

(۱) $\frac{14}{3}$

(۲) $\frac{124}{3}$

(۳) ۲۸

(۴) ۳۸

۳۲- مساحت روبه‌دور حاصل از دوران منحنی $y = 2\sqrt{x}$ حول محور x ها برای $0 \leq x \leq 3$ کدام است؟

(۱) $\frac{56\pi}{3}$

(۲) 16π

(۳) $\frac{7\pi}{6}$

(۴) $\frac{\pi}{3}$

۳۳- مقدار انتگرال ناسره $\int_0^{\frac{\pi}{2}} \frac{\cos x dx}{(1 - \sin x)^3}$ کدام است؟

(۱) $-\infty$

(۲) $\frac{1}{3}$

(۳) 3

(۴) ∞

۳۴- می‌دانیم $\int_0^{\infty} e^{-s^2} ds = \frac{1}{2}\sqrt{\pi}$ ، تابع $y(x) = \int_0^{\infty} e^{-s^2} \cos(2sx) ds$ در کدام شرط صدق می‌کند؟

(۱) $y(0) = \frac{1}{2}\sqrt{\pi}$

(۲) $\frac{dy}{dx} = -2xy$

(۴) موارد ۱ و ۲

(۳) انتگرالی واگرا است.

۳۵- دنباله $\left\{ \sqrt{\pi}, \sqrt{\pi\sqrt{\pi}}, \sqrt{\pi\sqrt{\pi\sqrt{\pi}}}, \dots \right\}$ به کدام عدد همگرا است؟

(۲) π

(۴) $\frac{\pi}{2}$

(۱) $2\sqrt{\pi}$

(۳) $\sqrt{\pi}$

۳۶- ناحیه همگرایی سری زیر کدام است؟

$$\sum_{n=1}^{\infty} \frac{n(-1)^n}{4n^2 - 1} \left(\frac{2+x}{3-x} \right)^n$$

(۱) $\left[\frac{1}{2}, \infty \right)$

(۲) $\left(\frac{1}{2}, \infty \right)$

(۳) $\left(-\infty, \frac{1}{2} \right]$

(۴) $\left(-\infty, \frac{1}{2} \right)$

۳۷- ضریب x^3 در بسط سری توانی $f(x) = \frac{1}{x-2} - \frac{1}{x+3}$ با شرط $|x| < 1$ کدام است؟

$$\frac{-97}{1296} \quad (1)$$

$$\frac{-65}{1296} \quad (2)$$

$$\frac{65}{1296} \quad (3)$$

$$\frac{97}{1296} \quad (4)$$

۳۸- مساحت قسمتی از منحنی قطبی $r = 2 \cos \theta$ که خارج از دایره $r = 1$ و در ربع اول می‌باشد، کدام است؟

$$\frac{\sqrt{3}}{2} \quad (1)$$

$$\frac{\pi}{3} \quad (2)$$

$$\frac{\sqrt{3}}{4} + \frac{\pi}{6} \quad (3)$$

$$\frac{\sqrt{3}}{2} + \frac{\pi}{3} \quad (4)$$

۳۹- معادله قطبی: $r = \sec \theta (1 + \tan \theta)$ در دستگاه دکارتی کدام است؟

$$y = x^2 - x \quad (1)$$

$$y = x^2 + x \quad (2)$$

$$x = y^2 - y \quad (3)$$

$$x = y^2 + y \quad (4)$$

۴۰- فرم استاندارد عدد مختلط $z = \frac{(1+2i)(2-3i)}{(2-i)(3+2i)}$ کدام است؟ (فرم استاندارد: $z = a + ib$)

$$z = 1 \quad (1)$$

$$z = \frac{1}{65}(1+i) \quad (2)$$

$$z = -i \quad (3)$$

$$z = \frac{1}{65}(1-i) \quad (4)$$

آمار و احتمالات مهندسی:

۴۱- نمودار تنه و شاخه (ساقه و برگ) زیر خلاصه اطلاعات در اختیار است. مقدار (Q_1, m, Q_3) کدام است؟

۱	۰	۱	۲	۳	۴					(۱) (۳۰, ۴۴, ۵۷)
۲	۰	۱	۲	۳	۴	۵				(۲) (۲۵, ۴۳, ۵۷)
۳	۰	۱	۲	۳	۴	۵	۶			(۳) (۳۰, ۴۲, ۶۰)
۴	۰	۱	۲	۳	۴	۵	۶	۷		(۴) (۲۵, ۴۴, ۵۸)
۵	۰	۱	۲	۳	۴	۵	۶	۷	۸	
۶	۰	۱	۲	۳	۴	۵	۶	۷	۸	۹

۴۲- یک نقطه به تصادف از داخل دایره‌ای به شعاع یک اختیار می‌کنیم. احتمال اینکه نقطه انتخابی در داخل مربع محاط در دایره باشد، کدام است؟

$$(1) 1 - \frac{3}{\pi}$$

$$(2) 1 - \frac{2}{\pi}$$

$$(3) \frac{2}{\pi}$$

$$(4) \frac{3}{\pi}$$

۴۳- فرض کنید A, B, C سه پیشامد مستقل از هم با شرایط زیر باشند. مقدار $(P(A), P(B))$ کدام است؟

$$i) P(A \cup B \cup C) = 0.9 \quad (A \Delta C = \text{تفاضل متقارن پیشامدهای } A \text{ و } C)$$

$$ii) P(A \cup B) = 0.4 \quad (1) \left(\frac{4}{5}, \frac{1}{4}\right)$$

$$iii) P(A \Delta C) = 0.7 \quad (2) \left(\frac{1}{5}, \frac{1}{4}\right)$$

$$(3) \left(\frac{4}{5}, \frac{3}{4}\right)$$

$$(4) \left(\frac{1}{4}, \frac{1}{5}\right)$$

۴۴- فرض کنید ۵ درصد از جمعیتی دارای یک بیماری خاص هستند. یک آزمایشگاه، آزمایش خون برای این بیماران را با احتمال ۹۵ درصد و برای افراد سالم با احتمال ۱ درصد مثبت اعلام می‌کند. احتمال منفی بودن آزمایش خون یک فرد کدام است؟

$$(1) 0.934$$

$$(2) 0.943$$

$$(3) 0.9508$$

$$(4) 0.9580$$

۴۵- فرض کنید ۵ درصد از جمعیتی دارای یک بیماری خاص هستند. اگر ۱۰۰ نفر از این جمعیت به تصادف انتخاب شود، احتمال اینکه حداکثر یک نفر بیماری خاص داشته باشد، کدام است؟

$$(1) \frac{1}{6}e^{-5}$$

$$(2) e^{-5}$$

$$(3) 5e^{-5}$$

$$(4) 6e^{-5}$$

۴۶- فرض کنید X یک متغیر تصادفی از توزیعی با تابع چگالی احتمال زیر باشد. مقدار a کدام است؟

$$f(x) = \begin{cases} ax^2 & 0 < x < 1 \\ a(2-x) & 1 < x < 2 \\ 0 & \text{سایر جاها} \end{cases}$$

$$(1) \frac{6}{5}$$

$$(2) \frac{5}{4}$$

$$(3) \frac{4}{3}$$

$$(4) \frac{3}{2}$$

۴۷- فرض کنید X یک متغیر تصادفی از توزیعی با تابع چگالی احتمال زیر باشد. اگر $B = \{x : x > 1\}$ ، مقدار $E(X|B)$ کدام است؟

$$f(x) = \begin{cases} \frac{2}{x^3} & x > 1 \\ 0 & \text{سایر جاها} \end{cases}$$

$$(1) \frac{1}{14}$$

$$(2) \frac{7}{48}$$

$$(3) \frac{48}{7}$$

$$(4) 14$$

۴۸- فرض کنید X و Y دو متغیر تصادفی با تابع چگالی احتمال توأم زیر باشند.

$$f(x,y) = \begin{cases} ye^{-(x+1)y} & x > 0, y > 0 \\ 0 & \text{سایر جاها} \end{cases}$$

مقدار $E(X|Y=3)$ کدام است؟

$$(1) 6$$

$$(2) 3$$

$$(3) \frac{1}{3}$$

$$(4) \frac{1}{6}$$

۴۹- فرض کنید ۳، ۷، ۹ یافته‌های یک نمونه تصادفی از توزیعی با تابع چگالی احتمال زیر باشد. برآورد θ به روش گشتاوری کدام است؟

$$f_{\theta}(x) = \begin{cases} \theta x^{-\theta-1} & x > 1 \\ 0 & \text{سایر جاها} \end{cases}, \quad \theta > 1$$

(۱) $\frac{19}{16}$

(۲) $\frac{16}{13}$

(۳) $\frac{19}{13}$

(۴) $\frac{16}{11}$

۵۰- فرض کنید ۰/۲، ۰/۴، ۰/۶، ۰/۸ یافته‌های یک نمونه تصادفی از توزیعی با تابع چگالی احتمال زیر باشد. برآورد θ به روش ماکزیمم درست‌نمایی (MLE) کدام است؟

$$f_{\theta}(x) = \begin{cases} (\theta+1)x^{\theta} & 0 < x < 1 \\ 0 & \text{سایر جاها} \end{cases}, \quad \theta > -1$$

(۱) $\frac{4}{4 \ln 10 - 7 \ln 2 - \ln 3}$

(۲) $-1 + \frac{4}{4 \ln 10 - 7 \ln 2 - \ln 3}$

(۳) $-1 - \frac{4}{4 \ln 10 - 7 \ln 2 - \ln 3}$

(۴) $1 + \frac{4}{4 \ln 10 - 7 \ln 2 - \ln 3}$

۵۱- فرض کنید $X \sim U(0, \theta)$ (دارای توزیع یکنواخت روی بازه $(0, \theta)$ است). ضریب اطمینان بازه اطمینان $(\frac{1}{4}X, 2X)$ برای θ کدام است؟

(۱) ۱

(۲) $\frac{3}{4}$

(۳) $\frac{2}{3}$

(۴) $\frac{1}{2}$

۵۲- فرض کنید براساس یافته‌های یک نمونه تصادفی ۲۵ تایی از توزیع $N(\mu, 100)$ ، خلاصه اطلاعات زیر در اختیار باشد:

$$\bar{x} = 14, \quad s^2 = 36$$

برای آزمون فرض $H_0: \mu = 10$ در مقابل $H_1: \mu > 10$ ، مقدار آماره آزمون و توزیع آن تحت H_0 کدام است؟

(۱) $\frac{10}{3}$ ، با توزیع t

(۲) ۲، با توزیع t

(۳) ۲، با توزیع نرمال

(۴) $\frac{10}{3}$ ، با توزیع نرمال

۵۳- فرض کنید ۱، ۱، ۰، ۱، ۱، ۱، ۱، ۰، ۱، ۱، ۱ یافته‌های یک نمونه تصادفی از توزیع برنولی با پارامتر p باشد. برای

آزمون فرض $H_0: p = \frac{1}{4}$ در مقابل $H_1: p = \frac{5}{6}$ ، اگر ناحیه بحرانی (ملاک رد) به فرم $\sum_{i=1}^{10} x_i > c$ باشد،

مقدار p -value (p-value) آزمون کدام است؟

(۱) $\frac{11}{2^{10}}$

(۲) $\frac{10}{2^{10}}$

(۳) $\frac{9}{2^7}$

(۴) $\frac{7}{2^7}$

۵۴- فرض کنید خلاصه اطلاعات زیر در مورد دو متغیر کمی در اختیار باشد. اگر برازش مدل خطی ساده

$$y = \alpha + \beta x + \varepsilon$$

به این داده‌ها مناسب باشد، مقدار $(\hat{\alpha}, \hat{\beta})$ کدام است؟

$$\bar{x} = 80, \bar{y} = 172, s_x = 12, s_y = 5, r = 0.9$$

(۱) $(142, \frac{8}{3})$

(۲) $(169, \frac{3}{80})$

(۳) $(142, \frac{3}{8})$

(۴) $(169, \frac{80}{3})$

۵۵- در سؤال ۵۹، مقدار (SSR, SSE) کدام است؟ (مجموع مربعات رگرسیون SSR و مجموع مربعات خطا SSE)

(۲) $(4/57, 20/43)$

(۱) $(20/43, 4/57)$

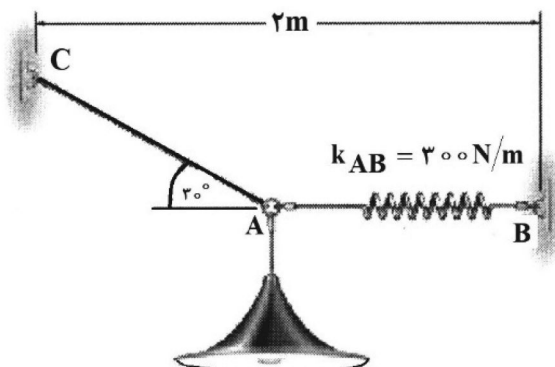
(۴) $(20/25, 4/75)$

(۳) $(4/75, 20/25)$

استاتیک:

۵۶- چراغ نشان داده‌شده به وزن $10\sqrt{3}$ نیوتن توسط سیم نازک AC و فنر AB با سختی فنر $k = 300 \frac{N}{m}$ نگه داشته

شده است. چنانچه طول فنر AB قبل از تغییر طول 0.4 متر باشد، طول آن بعد از تغییر طول چند متر است؟



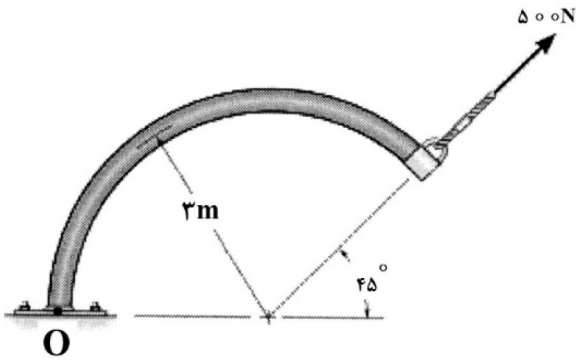
(۱) 0.45

(۲) 0.5

(۳) 0.55

(۴) 0.6

۵۷- اندازه گشتاور حول نقطه O چند نیوتن متر است؟



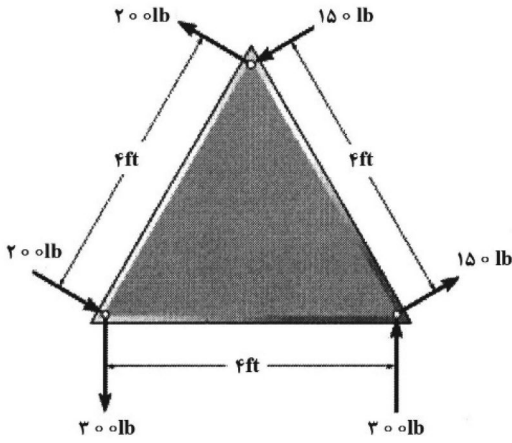
(۱) $1500\sqrt{2}$

(۲) $1000\sqrt{2}$

(۳) $750\sqrt{2}$

(۴) $500\sqrt{2}$

۵۸- اندازه گشتاور برآیند حاصل از زوج نیروهای نشان داده شده چند پوند - فوت است؟



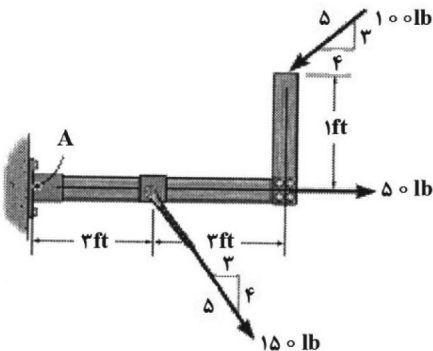
(۱) ۱۰۰۰

(۲) ۱۴۰۰

(۳) ۱۸۰۰

(۴) ۲۶۰۰

۵۹- نیروی برآیند عکس‌العمل تکیه‌گاهی A چند پوند (lb) است؟



(۱) ۶۰

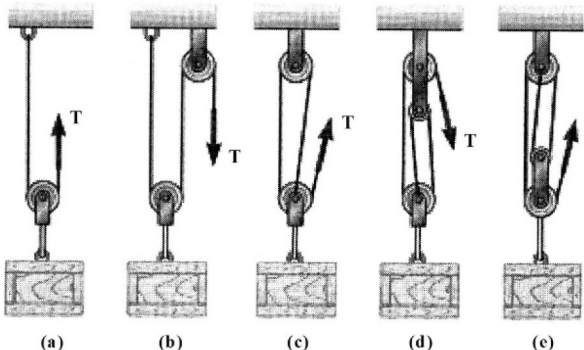
(۲) ۱۸۰

(۳) $60\sqrt{10}$

(۴) $120\sqrt{5}$

۶۰- چنانچه وزنه متصل شده به قرقره‌ها دارای وزن W باشد، کشش کابل (T) در کدام دو شکل از اشکال

e, d, c, b, a یکسان است؟



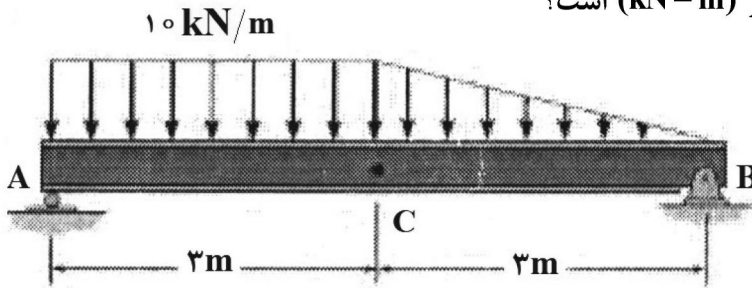
(۱) d, c

(۲) c, b

(۳) e, d

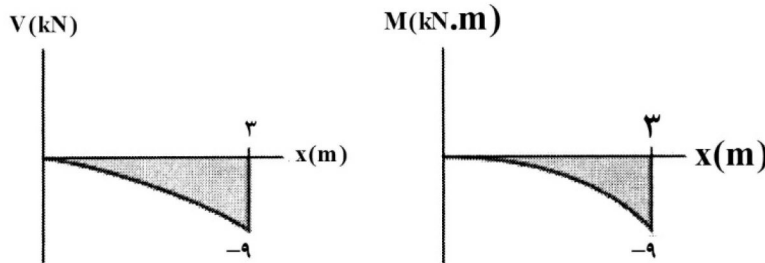
(۴) b, a

۶۱- لنگر خمشی در نقطه C چند کیلونیوتن متر (kN-m) است؟



- (۱) ۲۷/۵
- (۲) ۳۷/۵
- (۳) ۴۵
- (۴) ۷۵

۶۲- اشکال نشان داده شده دیاگرام‌های نیروی برشی (منحنی درجه دوم) و لنگر خمشی (منحنی درجه سوم) تیر به طول ۳ متر با بارگذاری مثلثی روبه پایین است. کدام مورد دیاگرام بارگذاری و نوع تکیه‌گاه‌ها در ابتدا و انتهای تیر را درست توصیف کرده است؟



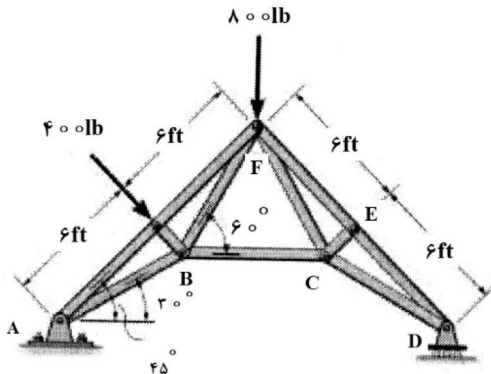
(۱) تیر ساده که در ابتدای آن، تیر تکیه‌گاه مفصلی با شدت بار $6 \frac{kN}{m}$ و در انتهای آن، تکیه‌گاه غلتکی با شدت بار صفر است.

(۲) تیر کنسولی که در ابتدای آن، سر آزاد با شدت بار $6 \frac{kN}{m}$ و در انتهای آن، تکیه‌گاه گیردار با شدت بار صفر است.

(۳) تیر ساده که در ابتدای آن، تکیه‌گاه مفصلی با شدت بار صفر و در انتهای آن، تکیه‌گاه غلتکی با شدت بار $6 \frac{kN}{m}$ است.

(۴) تیر کنسولی که در ابتدای آن، سر آزاد با شدت بار صفر و در انتهای آن، تکیه‌گاه گیردار با شدت بار $6 \frac{kN}{m}$ است.

۶۳- مقدار و نوع نیرو در عضو EF چند پوند (lb) است؟



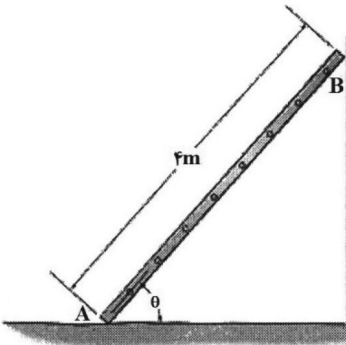
(۱) $100(6\sqrt{2} + 2\sqrt{6} + 3 + \sqrt{3})$ و فشاری

(۲) $100(3\sqrt{2} + 2\sqrt{3} + 6 + \sqrt{6})$ و کششی

(۳) $100(6\sqrt{2} + 2\sqrt{6} + 3 + \sqrt{3})$ و کششی

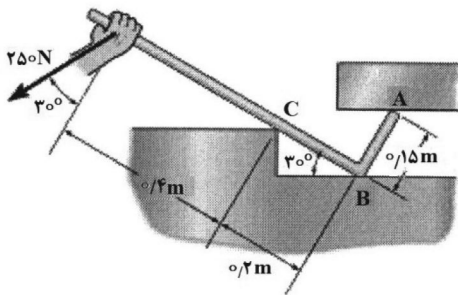
(۴) $100(3\sqrt{2} + 2\sqrt{3} + 6 + \sqrt{6})$ و فشاری

۶۴- نردبانی به وزن ۱۰۰ نیوتن از یک طرف به دیوار صیقلی (B) و از طرف دیگر به سطح‌زبر افقی (A) تکیه دارد. چنانچه $\theta = 60^\circ$ باشد، نیروی کل عکس‌العمل تکیه‌گاهی A چند نیوتن است؟



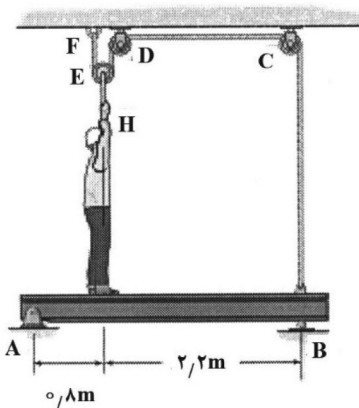
- (۱) $\frac{50\sqrt{3}}{9}$
- (۲) $\frac{50\sqrt{3}}{3}$
- (۳) $\frac{50\sqrt{13}}{3}$
- (۴) $\frac{50\sqrt{39}}{3}$

۶۵- دیلمی مطابق شکل در نقاط A و B و C تکیه دارد. نیروی عکس‌العمل در نقطه C چند نیوتن (N) است؟



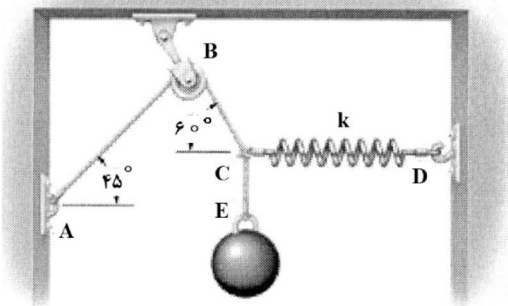
- (۱) $125\sqrt{3}$
- (۲) $250\sqrt{3}$
- (۳) $\frac{500\sqrt{3}}{3}$
- (۴) $\frac{1000\sqrt{3}}{3}$

۶۶- مردی به وزن ۱۰۰N سعی می‌کند تیر AB به وزن ۴۰۰N را توسط قرقره‌های C، D و E و کابل BF از تکیه‌گاه B جدا کند، نیروی کششی ایجادشده در کابل BF بر حسب نیوتن (N) در آستانه جدا شدن تیر AB از تکیه‌گاه B کدام است؟



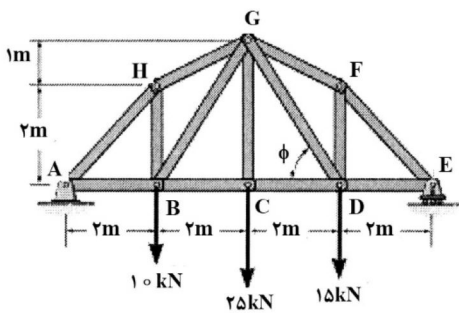
- (۱) $\frac{2600}{7}$
- (۲) $\frac{2600}{11}$
- (۳) $\frac{1300}{7}$
- (۴) $\frac{1300}{11}$

۶۷- چنانچه سختی فنر $k = 200\sqrt{3} \frac{N}{m}$ و وزن گوی متصل‌شده به گره E، ۱۰۰ نیوتن (N) باشد، تغییر طول فنر چند میلی‌متر است؟



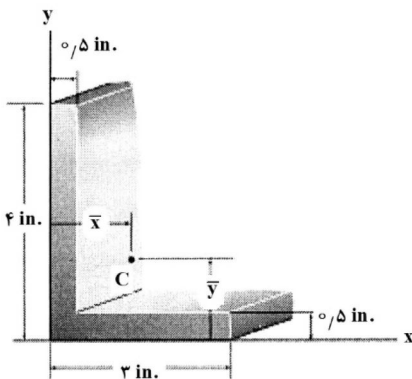
- (۱) $\frac{125}{3}$
- (۲) $\frac{250}{3}$
- (۳) $\frac{500}{3}$
- (۴) $\frac{1000}{3}$

۶۸- مقدار و نوع نیرو در عضو BC بر حسب کیلونیوتن (kN) کدام است؟



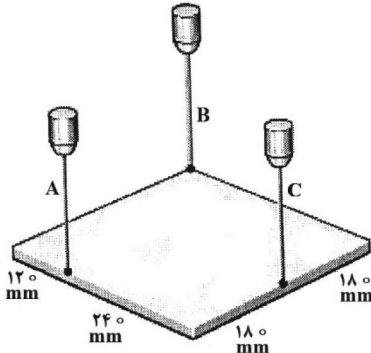
- (۱) ۱۵ و کششی
- (۲) ۱۵ و فشاری
- (۳) ۲۵ و کششی
- (۴) ۲۵ و فشاری

۶۹- مختصات مرکز سطح (\bar{x}, \bar{y}) در نقطه C بر حسب اینچ (in) کدام است؟



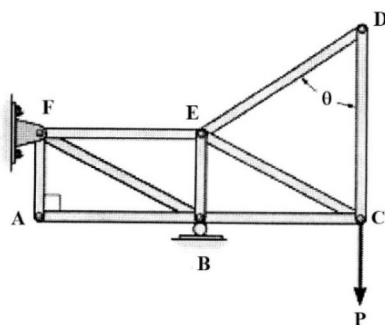
- (۱) $\bar{y} = \frac{17}{26}$ $\bar{x} = \frac{24}{13}$
- (۲) $\bar{y} = \frac{24}{13}$ $\bar{x} = \frac{17}{26}$
- (۳) $\bar{y} = \frac{43}{52}$ $\bar{x} = \frac{69}{52}$
- (۴) $\bar{y} = \frac{69}{52}$ $\bar{x} = \frac{43}{52}$

۷۰- صفحه فلزی به ابعاد $(360 \times 360 \text{ mm}^2)$ در صفحه xy قرار داشته و کابل‌های A و B و C در امتداد محور z این صفحه را به حالت تعادل و موازی با سطح افق نگه داشته‌اند معادلات تعادل لازم برای تعیین نیرو در کابل‌های A و B و C کدام است؟



- (۱) $\Sigma F_x = \Sigma M_y = \Sigma M_z = 0$
- (۲) $\Sigma F_z = \Sigma M_x = \Sigma M_y = 0$
- (۳) $\Sigma F_x = \Sigma F_y = \Sigma F_z = 0$
- (۴) $\Sigma F_y = \Sigma M_x = \Sigma M_z = 0$

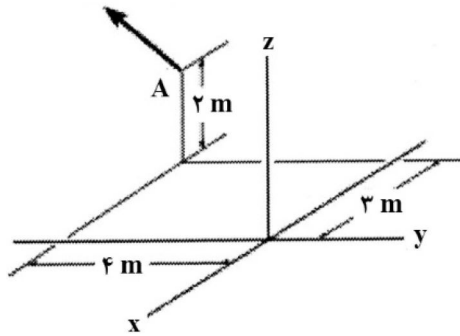
۷۱- اعضای صفرنیرویی خرپا کدام است؟



- (۱) AF, AB, EC, EB
- (۲) EF, EB, EC, ED
- (۳) AF, AB, ED, CD
- (۴) AB, BF, BE, BC

۷۲- با توجه به بردار نیروی $\vec{F} = (3\hat{i} - 2\hat{j} + 5\hat{k})N$ ، بردار گشتاور M حول مبدأ مختصات بر حسب نیوتن‌متر کدام است؟

$$F = (3\hat{i} - 2\hat{j} + 5\hat{k})N$$



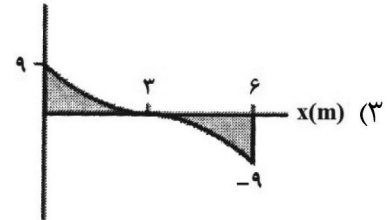
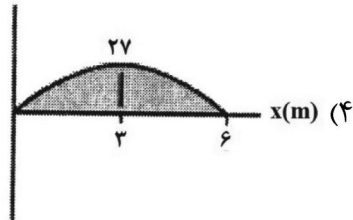
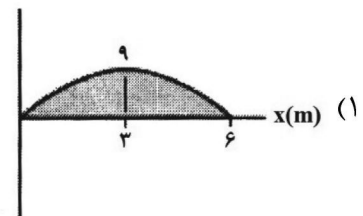
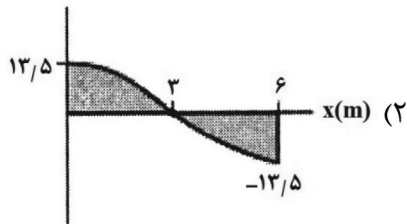
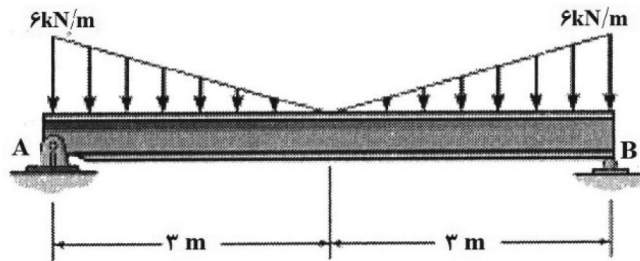
(۱) $-16\hat{i} - 21\hat{j} - 18\hat{k}$

(۲) $16\hat{i} - 21\hat{j} + 18\hat{k}$

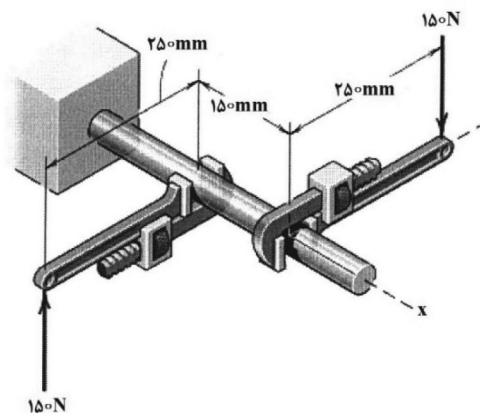
(۳) $-16\hat{i} + 21\hat{j} + 18\hat{k}$

(۴) $16\hat{i} + 21\hat{j} - 18\hat{k}$

۷۳- دیاگرام لنگر خمشی تیر AB با بارگذاری شکل زیر کدام است؟



۷۴- مقدار و جهت گشتاور کوپل نیروی 150 N حول محور xها چند نیوتن‌متر است؟

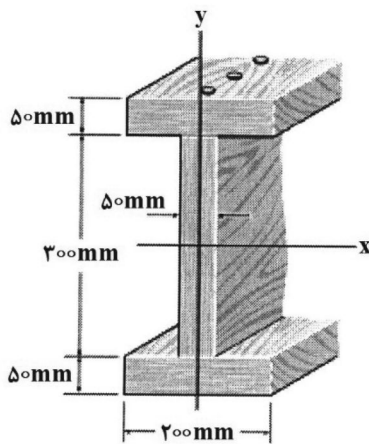


(۱) -75

(۲) -45

(۳) $+22.5$

(۴) $+25$



۷۵- ممان اینرسی حول محور y ها (I_y) بر حسب mm^4 کدام است؟

(۱) $\frac{76}{96} \times 10^8$

(۲) $\frac{67}{96} \times 10^8$

(۳) $\frac{67}{69} \times 10^8$

(۴) $\frac{76}{69} \times 10^8$

مهندسی آب و فاضلاب:

۷۶- افزایش دمای سیستم آبی باعث کاهش شده و اثر مخرب روی ارگانسیم‌ها و کیفیت آب دارد.

(۱) محتوای اکسیژن محلول

(۲) نیاز بیولوژیکی اکسیژن

(۳) فشاربخار

(۴) مواد آلی

۷۷- در یک کانال روباز با دو برابر شدن شیب هیدرولیکی بدون تغییر سطح مقطع جریان، سرعت و دبی به ترتیب چند برابر می‌شود؟

(۱) $\sqrt{2}$ و $\sqrt{2}$

(۲) $2\sqrt{2}$ و $\sqrt{2}$

(۳) ۲ و ۲

(۴) ۴ و ۲

۷۸- با دو برابر شدن دبی و هد پمپ مخصوص پمپ (N_s) چه تغییری می‌کند؟

(۱) ثابت می‌ماند.

(۲) افزایش می‌یابد.

(۳) کاهش می‌یابد.

(۴) سرعت مخصوص با دبی و هد ارتباطی ندارد.

۷۹- در مورد ضریب مانینگ کدام مورد درست است؟

(۱) مقدار آن بستگی به طول و قطر فاضلابرو دارد.

(۲) در طول دوره طرح با گذشت زمان میزان آن کاهش می‌یابد.

(۳) جهت محاسبه میزان نشتاب در شبکه فاضلاب استفاده می‌شود.

(۴) در لوله‌های صاف میزان آن کم و در لوله‌های زیر میزان آن بیشتر است.

۸۰- برای واکنش‌های درجه یک در شرایط مشابه، کدام راکتور نیاز به زمان ماند بیشتری جهت تبدیل میزان مشخصی از آلاینده دارد؟

(۱) Batch

(۲) CSTR

(۳) Plug flow

(۴) زمان ماند تمامی راکتورها برابر است.

۸۱- جهت کلر زنی تصفیه‌خانه‌ای با دبی ۱۰۰ مترمکعب در روز، کلر مورد نیاز $\frac{3}{5}$ میلی‌گرم در لیتر و کلر باقی‌مانده $\frac{5}{8}$ میلی‌گرم در لیتر مفروض است. میزان مصرف کلر این تصفیه‌خانه در شهریورماه چند کیلوگرم است؟

(۱) $\frac{8}{1}$

(۲) $\frac{8}{5}$

(۳) $\frac{12}{8}$

(۴) $\frac{13}{3}$

- ۸۲- با افزایش حجم تانک هوادهی و کاهش دبی جریان ورودی نسبت غذا به میکروارگانیسم در فاضلاب به ترتیب چگونه تغییر می‌کند؟
 (۱) کاهش - افزایش (۲) افزایش - کاهش (۳) کاهش - کاهش (۴) افزایش - افزایش
- ۸۳- اگر ۵۰۰۰ پوند در روز لجن آب‌گیری شده حاوی ۲۵ درصد جامدات با ۲۰۰۰ پوند در روز کمپوست با رطوبت ۳۰ درصد را با یکدیگر مخلوط کنیم، میزان رطوبت ترکیب مخلوط چند درصد است؟
 (۱) ۲۶ (۲) ۵۷ (۳) ۶۲ (۴) ۷۵
- ۸۴- کدام مورد در خصوص ترکیبات کلر درست است؟
 (۱) قدرت گندزدایی گاز کلر با افزایش pH کاهش می‌یابد.
 (۲) قدرت اکسیداسیون دی‌اکسید کلر از گاز کلر بیشتر است.
 (۳) در صورت استفاده از هیپوکلریت کلسیم، pH آب کاهش می‌یابد.
 (۴) در اثر استفاده از کلرآمین‌ها، تشکیل ترکیبات جانبی محتمل است.
- ۸۵- چنانچه غلظت‌های کلسیم و منیزیم نمونه آبی به ترتیب ۸۰ و ۳۰ میلی‌گرم در لیتر باشد، سختی کل این آب برحسب میلی‌گرم بر لیتر کربنات کلسیم کدام است؟ (جرم اتمی کلسیم و منیزیم، به ترتیب، ۴۰ و ۲۴ گرم است).
 (۱) ۲۳۵ (۲) ۲۵۵ (۳) ۳۲۵ (۴) ۳۵۵
- ۸۶- در یک کانال سیلابرو با سطح مقطع جریان مربع با بعد ۳۰ cm، شیب هیدرولیکی یک درصد و ضریب چزی (Chezy) ۶۰، دبی جریان چند $\frac{L}{s}$ است؟
 (۱) ۱۷۰ (۲) ۲۷۰ (۳) ۳۷۰ (۴) ۴۷۰
- ۸۷- در یک فرایند لجن فعال با دبی $10,000 \frac{m^3}{d}$ و زمان ماند هیدرولیکی ۶ ساعت، غلظت BOD و MLVSS به ترتیب ۳۰۰ و ۳۰۰۰ میلی‌گرم در لیتر است. نسبت غذا به میکروارگانیسم برحسب بر روز کدام است؟
 (۱) ۰/۱ (۲) ۰/۲ (۳) ۰/۴ (۴) ۰/۶
- ۸۸- ریسک سرطان‌زایی و غیرسرطان‌زایی مواجهه با مواد شیمیایی از طریق آب آشامیدنی به ترتیب، با چه پارامترهایی بیان می‌شود؟
 (۱) HI و HQ (۲) HQ و ILCR (۳) THQ و HI (۴) SF و RfD
- ۸۹- عوامل مؤثر بر سرعت هوادهی مجدد در رودخانه‌ها کدام است؟
 (۱) دمای آب و مساحت سطح رودخانه
 (۲) عمق جریان و مساحت سطح رودخانه
 (۳) سرعت جریان و مساحت سطح رودخانه
 (۴) اختلاف غلظت اکسیژن با غلظت اشباع و ضریب هوادهی مجدد

- ۹۰- پساب یک تصفیه‌خانه فاضلاب با دبی و غلظت COD به ترتیب، $0.1 \frac{m^3}{s}$ و $100 \frac{mg}{L}$ به رودخانه‌ای با دبی و غلظت COD به ترتیب $10 \frac{m^3}{s}$ و $5 \frac{mg}{L}$ تخلیه می‌شود. غلظت COD رودخانه پس از تخلیه فاضلاب کدام است؟
- (۱) ۶ (۲) ۱۶ (۳) ۲۶ (۴) ۵۲
- ۹۱- در شهری با جمعیت ۳۰ هزار نفر، دبی فاضلاب $9000 \frac{m^3}{d}$ و سرانه BOD به میزان $45 \frac{g}{capita.d}$ ، غلظت BOD فاضلاب چند $\frac{mg}{L}$ است؟
- (۱) ۵۰۰ (۲) ۳۵۰ (۳) ۲۵۰ (۴) ۱۵۰
- ۹۲- کارایی گندزدایی کلر در مورد کدام گروه از پاتوژن‌های زیر بیشتر است؟
- (۱) ویروس‌ها (۲) باکتری‌ها (۳) تک‌یاخته‌ها (۴) بستگی به دما و pH محیط دارد.
- ۹۳- استاندارد کیفیت میکروبی آب آشامیدنی کدام است؟
- (۱) کل کلیفرم - صفر (۲) کلیفرم گرمای - صفر (۳) کل کلیفرم - $\frac{10 MPN}{100 mL}$ (۴) کلیفرم گرمای - $\frac{10 MPN}{100 mL}$
- ۹۴- کدام مورد، پیش‌سازهای فراورده‌های جانبی گندزدایی است؟
- (۱) NOM و بروماید (۲) THM و برومات (۳) نیترات و نیتريت (۴) بستگی به نوع عامل گندزدا دارد.
- ۹۵- عفونت‌های دستگاه تنفسی در کدام دسته از بیماری‌های مرتبط با آب قرار می‌گیرد؟
- (۱) Water washed diseases (۲) Water borne diseases (۳) Water based diseases (۴) Water-related insect vector diseases
- ۹۶- مزیت فرایندهای بی‌هوازی حذف مواد آلی نسبت به فرایندهای هوازی کدام است؟
- (۱) نیاز کمتر به سوبسترا (۲) سرعت حذف بالاتر مواد آلی (۳) ضریب بازده سلولی کمتر (۴) حساسیت کمتر نسبت به دمای پایین
- ۹۷- در یک ستون جذب با کربن فعال، طول منطقه انتقال جرم (MTZ) با کدام عامل رابطه مستقیم دارد؟
- (۱) سرعت جذب (۲) ایزوترم جذب (۳) غلظت خروجی (۴) بارگذاری هیدرولیکی
- ۹۸- متداول‌ترین منعقدکننده شیمیایی مورد استفاده در تصفیه آب کدام است؟
- (۱) آهن (۲) الوم (۳) سولفات آهن (۴) هیدرازین
- ۹۹- چنانچه ۱۰۰ میلی‌لیتر از محلول دارای یون کلراید توسط ۱۰ میلی‌لیتر محلول $0.01 AgNO_3$ نرمال تیتر شود، غلظت یون کلراید برحسب $\frac{mg}{L}$ کدام است؟ (وزن اتمی کلر: ۳۵/۵ گرم بر مول)
- (۱) ۳/۵۵ (۲) ۳۵/۵ (۳) ۳۵۵ (۴) ۳۵۵۰

۱۰۰- در آزمایش BOD یک نمونه فاضلاب، حجم ظرف و حجم نمونه به ترتیب، ۱۵ و ۳۰۰ میلی لیتر و غلظت اولیه و نهایی اکسیژن محلول به ترتیب، ۹ و ۴ میلی گرم در لیتر است. BOD این فاضلاب چند میلی گرم در لیتر است؟

- (۱) ۵۰
(۲) ۱۰۰
(۳) ۱۵۰
(۴) ۳۰۰

مهندسی محیط‌زیست:

۱۰۱- مهم‌ترین عامل کنترل‌کننده پدیده اوتریفیکاسیون در دریاچه‌ها کدام است؟

- (۱) فسفر (۲) مواد آلی (۳) نیتروژن (۴) جامدات معلق

۱۰۲- شناسایی جنبه‌های محیط‌زیستی یک کارخانه در چه مرحله‌ای از پیاده‌سازی استاندارد بین‌المللی سیستم مدیریت محیط‌زیستی صورت می‌گیرد؟

- (۱) اجرا و عملیات (۲) طرح‌ریزی (۳) تعیین خط‌مشی (۴) بازنگری مدیریت

۱۰۳- زباله‌های هسته‌ای جامد رادیواکتیو توسط کدام یک از روش‌های زیر دفع می‌شوند؟

- (۱) پیرولیز (۲) سوزاندن پاتولوژیک (۳) دفن زیرزمینی در ظروف بتنی (۴) سوزاندن در دمای بالا

۱۰۴- در چه شرایطی، از سیستم کانتینر متحرک برای جمع‌آوری پسماند استفاده می‌شود؟

- (۱) نرخ پایین تولید پسماند (۲) نرخ بالای تولید پسماند (۳) فاصله زیاد محل‌های تولید از محل دفع (۴) فاصله کم محل‌های تولید از محل دفع

۱۰۵- کدام پرتو یون‌ساز در هر دو نوع پرتوگیری داخلی و خارجی حائز اهمیت است؟

- (۱) ایکس (۲) گاما (۳) آلفا (۴) بتا

۱۰۶- واحدهای مواجهه با پرتوهای یون‌ساز کدامند؟

- (۱) گری و بکرل (۲) کوری و سیورت (۳) بکرل و کوری (۴) سیورت و گری

۱۰۷- در کدام روش‌های تصفیه پسماند خطرناک، کنترل آلودگی هوا اهمیت بیشتری دارد؟

- (۱) فیلتراسیون غشایی (۲) ترسیب شیمیایی (۳) واجذب حرارتی (۴) تثبیت و جامدسازی

۱۰۸- حداقل کارایی حذف قابل قبول HCl در زباله‌سوز پسماند خطرناک چقدر است؟

(۱) ۹۹ درصد به شرطی که بار HCl خروجی کمتر از $\frac{1}{8} \frac{\text{kg}}{\text{h}}$ باشد.

(۲) ۹۹ درصد به شرطی که بار HCl ورودی کمتر از $\frac{1}{8} \frac{\text{kg}}{\text{h}}$ باشد.

(۳) ۹۰ درصد به شرطی که بار HCl خروجی کمتر از $\frac{1}{8} \frac{\text{kg}}{\text{h}}$ باشد.

(۴) ۹۰ درصد به شرطی که بار HCl ورودی کمتر از $\frac{1}{8} \frac{\text{kg}}{\text{h}}$ باشد.

- ۱۰۹- تولید و مصرف آفت‌کش‌های مقاوم در کدام معاهده بین‌المللی محدود شده است؟
 (۱) کنوانسیون استکهلم (۲) کنوانسیون بازل (۳) پروتکل مونترال (۴) پروتکل کیوتو
- ۱۱۰- مناسب‌ترین روش کنترل شیرابه پسماند در اماکن دفن کدام است؟
 (۱) درخت‌کاری روی محل دفن (۲) چمن‌کاری روی محل دفن
 (۳) پوشش کامل لایه تحتانی محل دفن با خاک رس (۴) پوشش کامل لایه فوقانی محل دفن با خاک رس
- ۱۱۱- واحد مورد استفاده جهت گزارش پرتوزایی پسماندهای مولد اشعه آلفا کدام است؟
 (۱) راد در دقیقه (۲) کوری در مترمکعب
 (۳) راد در ساعت (۴) کوری در سانتی‌مترمکعب
- ۱۱۲- کدام مورد در جریان پسماند ورودی به زباله‌سوز به‌عنوان کاتالیزور تولید دی‌اکسیدها عمل می‌کند؟
 (۱) دمای زیاد (۲) رطوبت زیاد (۳) فلزات دوظرفیتی (۴) هیدروکربن‌ها
- ۱۱۳- تعریف زیر مربوط به کدام استاندارد است؟
 «یکی از روش‌های ارزیابی زیست‌محیطی است که بعد از ارزیابی فنی و اقتصادی تکمیل‌کننده ضلع سوم یک ارزیابی پایدار است و کمک می‌کند تا علاوه بر ابعاد فنی و اقتصادی، از نظر محیط‌زیستی نیز با اطمینان خاطر اقدام کنیم.»
 (۱) Iso 14008 ارزیابی مالی اثرات زیست‌محیطی و جنبه‌های زیست‌محیطی
 (۲) Iso 14004 راهنمای عمومی استقرار سیستم‌های مدیریت محیط‌زیست
 (۳) Iso 14001 سیستم مدیریت زیست‌محیطی
 (۴) Iso 14040 ارزیابی چرخه حیات
- ۱۱۴- در کدام مرحله مشخص می‌شود که پروژه مشمول انجام مطالعات ارزیابی اثرات زیست‌محیطی است؟
 (۱) غربالگری (۲) حیطه‌یابی (۳) ارزیابی اجمالی (۴) ارزیابی تکمیلی
- ۱۱۵- مناسب‌ترین روش برای مدیریت پسماندهای مربوط به هرس کردن درختان یک شهر، کدام است؟
 (۱) دفن (۲) سوزاندن (۳) کمپوست (۴) بازیافت
- ۱۱۶- در مدیریت پسماند خطرناک، آزمایش TCLP در تعیین کدام مشخصه به‌کار می‌رود؟
 (۱) خوردگی (۲) سمیت (۳) واکنش‌پذیری (۴) قابلیت اشتعال
- ۱۱۷- کدام مورد، بیانگر دمای مورد نیاز جهت تبدیل مواد زائد جامد به کلینکر است؟
 (۱) ارزش حرارتی (۲) دمای اشتعال (۳) دمای احتراق (۴) دمای آفرزش
- ۱۱۸- طول عمر کدام‌یک از گازها در جو کمتر است؟
 (۱) NO_۲ (۲) O_۳ (۳) SO_۲ (۴) CO
- ۱۱۹- کدام وارونگی در حوادث بلندمدت آلودگی هوا نقش دارد؟
 (۱) دره‌ای (۲) جبهه‌ای (۳) تشعشی (۴) فروکشی
- ۱۲۰- در طرح جامع مدیریت کیفیت منابع آب، ایجاد شبکه پایش کیفی پساب‌ها در کدام دسته از پروژه‌ها قرار می‌گیرد؟
 (۱) پشتیبان (۲) مستقیم (۳) غیرمستقیم (۴) بخش خصوصی

